

INTRODUCTION

In view of the recent amendment made in the Designs (Amendment) Rules, 2008 with effect from 17/06/2008, Publication of the matter relating to Designs is being published in the Official Journal of The Patent Office. This Journal is being published on weekly basis on every Friday covering the various proceedings on Designs as required according to the provisions of under Rule 22, 25, 27 and 39 of the Design (Amendment) Rules, 2008. All the enquiries on this Official Journal and other information as required by the public should be addressed to the Controller General of Patents, Designs & Trade Marks. Suggestions and comments are requested from all quarters so that the content can be enriched.

COPYRIGHT PUBLICATION

SL NO	REGISTERED DESIGN NUMBERS	RENEWED ON
1.	227224	05.06.2014
2.	227223	05.06.2014
3.	227093	05.06.2014
4.	227092	05.06.2014
5.	209748	05.06.2014
6.	209747	05.06.2014
7.	209746	05.06.2014
8.	194453	05.06.2014
9.	196239	05.06.2014
10.	196240	05.06.2014
11.	249377	19.06.2014
12.	249373	19.06.2014
13.	249379	20.06.2014
14.	249380	20.06.2014
15.	229536	23.06.2014
16.	195525	23.06.2014
17.	196905	23.06.2014
18.	196906	23.06.2014
19.	196907	23.06.2014
20.	229585	24.06.2014
21.	229584	24.06.2014
22.	213745	24.06.2014
23.	213744	24.06.2014
24.	213743	24.06.2014
25.	248390	24.06.2014
26.	248388	24.06.2014
27.	248387	24.06.2014
28.	247283	24.06.2014
29.	247282	24.06.2014
30.	246314	24.06.2014
31.	246313	24.06.2014
32.	187867	24.06.2014
33.	187866	24.06.2014
34.	187864	24.06.2014
35.	187858	24.06.2014
36.	198067	25.06.2014
37.	198068	25.06.2014
38.	243500	25.06.2014
39.	193538	26.06.2014
40.	193242	26.06.2014

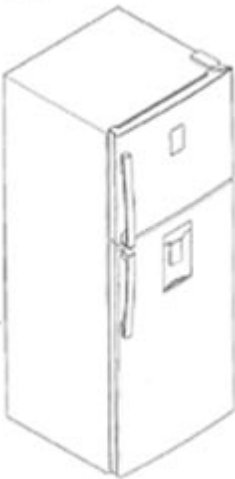


THE DESIGNS ACT 2000
SECTION 30
DESIGN ASSIGNMENT

The Design stands in the name of **PHOENIX LAMPS LIMITED** registered under the Designs Act, 2000 has been assigned in the Register of Designs in the name as follows:-

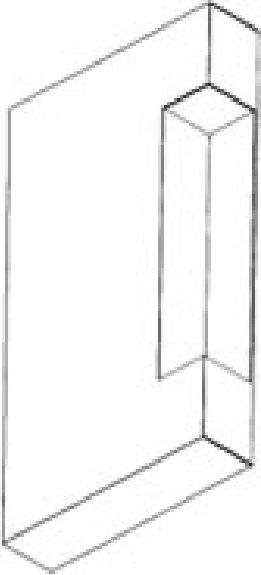
Design No.	Class	Name
195014	26-04	HALONIX TECHNOLOGIES PRIVATE LIMITED, A COMPANY INCORPORATED UNDER THE LAWS OF INDIA, OF B-31, PHASE-II, NOIDA, DISTT. GAUTAM BUDH NAGAR (U.P.)-201305, INDIA

REGISTRATION OF DESIGNS


The following designs have been registered. They are now open for public inspection. In the following each entry the Date of Registration is shown. The Priority Number, Priority Date and Priority Country are also shown

DESIGN NUMBER	258878		
CLASS	15-07		
1)SAMSUNG ELECTRONICS CO., LTD. 129, SAMSUNG-RO, YEONGTONG-GU, SUWON-SI, GYEONGGI-DO, 443-742, REPUBLIC OF KOREA, A COMPANY OF REPUBLIC OF KOREA			
DATE OF REGISTRATION	19/12/2013		
TITLE	REFRIGERATOR		
PRIORITY			
PRIORITY NUMBER	DATE	COUNTRY	
30-2013-0043126	22/08/2013	REPUBLIC OF KOREA	
DESIGN NUMBER	256365		
CLASS	23-01		
1)THE GATES CORPORATION, A DELAWARE CORPORATION OF 1551 WEWATTA STREET, DENVER, CO 80202, U.S.A.			
DATE OF REGISTRATION	11/09/2013		
TITLE	HYDRAULIC CONNECTOR		
PRIORITY			
PRIORITY NUMBER	DATE	COUNTRY	
29/449,856	15/03/2013	U.S.A.	
DESIGN NUMBER	259276		
CLASS	12-11		
1)BAJAJ AUTO LIMITED, AN INDIAN COMPANY, INCORPORATED UNDER THE COMPANIES ACT OF 1956, HAVING ITS PRINCIPAL PLACE OF BUSINESS AT NEW 2ND & 3RD FLOOR, KHIVRAJ BUILDING, NO. 616, ANNASALAI, CHENNAI - 600006, STATE OF TAMIL NADU, INDIA, AND REGISTERED OFFICE AT AKURDI, PUNE-411035, STATE OF MAHARASHTRA, INDIA			
DATE OF REGISTRATION	07/01/2014		
TITLE	FENDER ASSEMBLY FOR MOTORCYCLE		
PRIORITY NA			


DESIGN NUMBER	256494	
CLASS	09-03	
1)ALTRIA CLIENT SERVICES INC., A CORPORATION EXISTING UNDER THE LAWS OF THE STATE OF NEW YORK, USA., OF 6601 WEST BROAD STREET, RICHMOND, VIRGINIA 23230, USA		
DATE OF REGISTRATION	16/09/2013	
TITLE	DISPLAY PACKAGE	
PRIORITY		
PRIORITY NUMBER	DATE	COUNTRY
29/450,130	15/03/2013	U.S.A.






DESIGN NUMBER	259279
CLASS	12-11
1)BAJAJ AUTO LIMITED, AN INDIAN COMPANY, INCORPORATED UNDER THE COMPANIES ACT OF 1956, HAVING ITS PRINCIPAL PLACE OF BUSINESS AT NEW 2ND & 3RD FLOOR, KHIVRAJ BUILDING, NO. 616, ANNASALAI, CHENNAI - 600006, STATE OF TAMIL NADU, INDIA, AND REGISTERED OFFICE AT AKURDI, PUNE-411035, STATE OF MAHARASHTRA, INDIA	
DATE OF REGISTRATION	07/01/2014
TITLE	HUGGER FOR MOTORCYCLE
PRIORITY NA	







DESIGN NUMBER	256799
CLASS	07-01
1)1) NISHITA THAKURDAS AND 2) ABDULLA JAMAL BOTH RESIDING AT 206, CHRISTELLA, VILLA NO. 6, WHITEFIELD MAIN ROAD, WHITEFIELD, BANGALORE 560066 KARNATAKA, INDIA AND TRADING AS PARTNERS OF M/S. NISHITA DESIGN, SITUATED AT THE AFORE-MENTIONED ADDRESS	
DATE OF REGISTRATION	26/09/2013
TITLE	PLATE
PRIORITY NA	

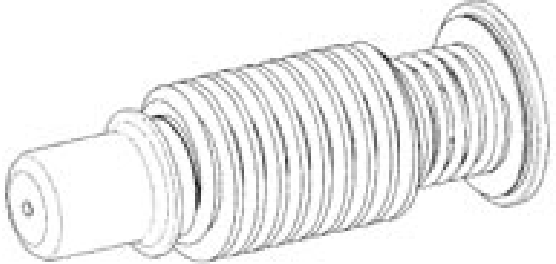


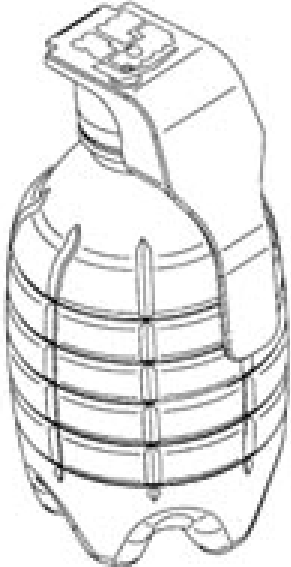
DESIGN NUMBER	256867		
CLASS	07-01		
1)SHRI RAM & COMPANY AN INDIAN SOLE PROPRIETORSHIP FIRM AT 1/6, VIKRAM VIHAR, GURUDWARA ROAD, NEW DOUBLE STOREY, LAJPAT NAGAR-IV, NEW DELHI-110024 WHOSE PROPRIETOR IS GURDEEP SINGH AS AN INDIAN NATIONAL OF ABOVE ADDRESS			
DATE OF REGISTRATION	27/09/2013		
TITLE	PLATE		
PRIORITY NA			
DESIGN NUMBER	254672		
CLASS	10-05		
1)OMICRON ELECTRONICS GMBH, A LIMITED LIABILITY COMPANY OF AUSTRIA, OF OBERES RIED 1, 6833 KLAUS, AUSTRIA			
DATE OF REGISTRATION	21/06/2013		
TITLE	TESTING DEVICE FOR POWER ENGINEERING SYSTEMS		
PRIORITY			
PRIORITY NUMBER	DATE	COUNTRY	
002157974	21/12/2012	OHIM	
DESIGN NUMBER	259280		
CLASS	12-11		
1)BAJAJ AUTO LIMITED, AN INDIAN COMPANY, INCORPORATED UNDER THE COMPANIES ACT OF 1956, HAVING ITS PRINCIPAL PLACE OF BUSINESS AT NEW 2ND & 3RD FLOOR, KHIVRAJ BUILDING, NO. 616, ANNASALAI, CHENNAI - 600006, STATE OF TAMIL NADU, INDIA, AND REGISTERED OFFICE AT AKURDI, PUNE-411035, STATE OF MAHARASHTRA, INDIA			
DATE OF REGISTRATION	07/01/2014		
TITLE	SEAT COWL ASSEMBLY FOR MOTORCYCLE		
PRIORITY NA			




DESIGN NUMBER	256800		
CLASS	07-01		
1)1) NISHITA THAKURDAS AND 2) ABDULLA JAMAL BOTH RESIDING AT 206, CHRISTELLA, VILLA NO. 6, WHITEFIELD MAIN ROAD, WHITEFIELD, BANGALORE 560066 KARNATAKA, INDIA AND TRADING AS PARTNERS OF M/S. NISHITA DESIGN, SITUATED AT THE AFORE-MENTIONED ADDRESS			
DATE OF REGISTRATION	26/09/2013		
TITLE	PLATE		
PRIORITY NA			
DESIGN NUMBER	256869		
CLASS	07-01		
1)SHRI RAM & COMPANY AN INDIAN SOLE PROPRIETORSHIP FIRM AT 1/6, VIKRAM VIHAR, GURUDWARA ROAD, NEW DOUBLE STOREY, LAJPAT NAGAR-IV, NEW DELHI-110024 WHOSE PROPRIETOR IS GURDEEP SINGH AS AN INDIAN NATIONAL OF ABOVE ADDRESS			
DATE OF REGISTRATION	27/09/2013		
TITLE	BOWL		
PRIORITY NA			
DESIGN NUMBER	256760		
CLASS	07-02		
1)LA TERMOPLASTIC F.B.M. S.R.L., A COMPANY ORGANIZED UNDER LAW OF THE ITALIAN REPUBLIC OF VIA DEL TORNAGO Z.I.-21010 ARSAGO SEPRIO (VA), ITALY			
DATE OF REGISTRATION	25/09/2013		
TITLE	COOKWARE HANDLE		
PRIORITY			
PRIORITY NUMBER	DATE	COUNTRY	
002208165-0001	25/03/2013	OHIM	


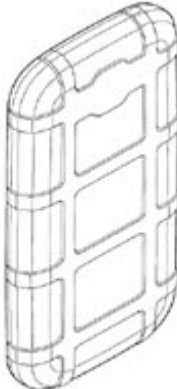
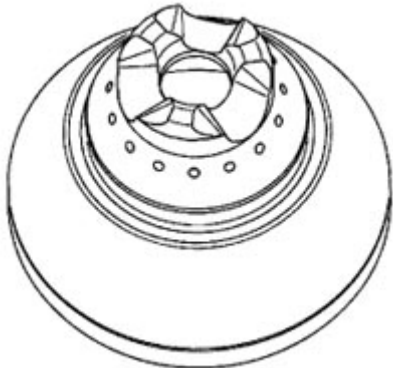
DESIGN NUMBER	255838		
CLASS	15-99		
1)HYPERTHERM, INC., A CORPORATION ORGANIZED AND EXISTING UNDER THE LAWS OF THE STATE OF NEW HAMPSHIRE, UNITED STATES OF AMERICA WHO ARE AMERICAN BY NATIONALITY AND WHOSE ADDRESS IS 21 GREAT HOLLOW ROAD, HANOVER, NH, 03755, UNITED STATES OF AMERICA			
DATE OF REGISTRATION	14/08/2013		
TITLE	PLASMA ARC TORCH NOZZLE		
PRIORITY			
PRIORITY NUMBER	DATE	COUNTRY	
201330142816.4	26/04/2013	CHINA	
DESIGN NUMBER	259281		
CLASS	12-11		
1)BAJAJ AUTO LIMITED, AN INDIAN COMPANY, INCORPORATED UNDER THE COMPANIES ACT OF 1956, HAVING ITS PRINCIPAL PLACE OF BUSINESS AT NEW 2ND & 3RD FLOOR, KHIVRAJ BUILDING, NO. 616, ANNASALAI, CHENNAI - 600006, STATE OF TAMIL NADU, INDIA, AND REGISTERED OFFICE AT AKURDI, PUNE-411035, STATE OF MAHARASHTRA, INDIA			
DATE OF REGISTRATION	07/01/2014		
TITLE	GRAB FOR MOTORCYCLE		
PRIORITY NA			
DESIGN NUMBER	256870		
CLASS	07-01		
1)SHRI RAM & COMPANY AN INDIAN SOLE PROPRIETORSHIP FIRM AT 1/6, VIKRAM VIHAR, GURUDWARA ROAD, NEW DOUBLE STOREY, LAJPAT NAGAR-IV, NEW DELHI-110 024 WHOSE PROPRIETOR IS GURDEEP SINGH AS AN INDIAN NATIONAL OF ABOVE ADDRESS			
DATE OF REGISTRATION	27/09/2013		
TITLE	POT		
PRIORITY NA			

DESIGN NUMBER	256761	
CLASS	12-16	
1)TATA MOTORS LIMITED, AN INDIAN COMPANY OF BOMBAY HOUSE, 24 HOMI MODY STREET, HUTATMA CHOWK, MUMBAI 400001, INDIA		
DATE OF REGISTRATION	25/09/2013	
TITLE	BUSH FOR VEHICULAR USE	
PRIORITY NA		

DESIGN NUMBER	255839	
CLASS	15-99	
1)HYPER THERM, INC., A CORPORATION ORGANIZED AND EXISTING UNDER THE LAWS OF THE STATE OF NEW HAMPSHIRE, UNITED STATES OF AMERICA WHO ARE AMERICAN BY NATIONALITY AND WHOSE ADDRESS IS 21 GREAT HOLLOW ROAD, HANOVER, NH, 03755, UNITED STATES OF AMERICA		
DATE OF REGISTRATION	14/08/2013	
TITLE	PLASMA ARC TORCH ELECTRODE	
PRIORITY		
PRIORITY NUMBER	DATE	COUNTRY
201330142982.4	26/04/2013	CHINA

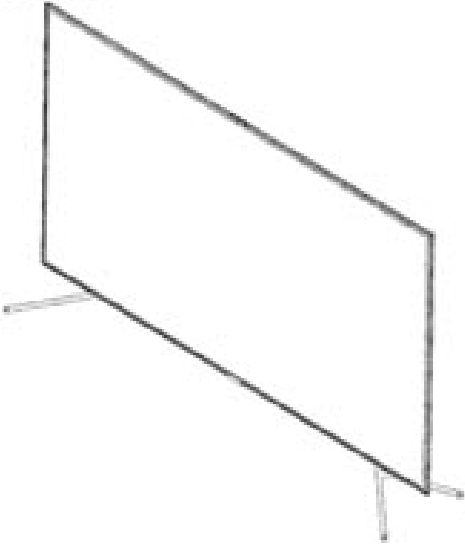
DESIGN NUMBER	256042	
CLASS	09-01	
1)HOUSE OF AUTH, LLC OF THE ADDRESS 1540 RIVERBANK ROAD, STAMFORD, CT 06903, US		
DATE OF REGISTRATION	26/08/2013	
TITLE	BOTTLE WITH CAP	
PRIORITY		
PRIORITY NUMBER	DATE	COUNTRY
29446778	27/02/2013	U.S.A.

DESIGN NUMBER	257810	
CLASS	21-01	
1)BAAN GANGA SPARKLING NOVELTIES PVT. LTD., 2057/38, GURUDWARA ROAD, KAROL BAGH, NEW DELHI-110005, INDIA. (AN INDIAN COMPANY DULY REGISTERED UNDER THE COMPANIES ACT, 1956)		
DATE OF REGISTRATION	28/10/2013	
TITLE	TOY WHEEL RIDEON	
PRIORITY NA		
DESIGN NUMBER	257567	
CLASS	09-01	
1)UNIVERSAL LEGGUARD WORKS, BASTI SHEIKH ROAD, JALANDHAR-144002 (PUNJAB) INDIA, AN INDIAN PARTNERSHIP FIRM WHOSE PARTNERS ARE:- PRAN NATH CHADHA, MAHESH CHADHA, ANURAG CHADHA, SAROJ CHADHA, AMIT CHADHA & MANEKA CHADHA BEING INDIAN NATIONALS OF THE ABOVE ADDRESS		
DATE OF REGISTRATION	18/10/2013	
TITLE	BOTTLE	
PRIORITY NA		
DESIGN NUMBER	256821	
CLASS	25-01	
1)NIPPON STEEL & SUMIKIN METAL PRODUCTS CO., LTD., A CORPORATION ORGANIZED UNDER THE LAWS OF JAPAN, OF 17-12, KIBA 2-CHOME, KOTO-KU, TOKYO 135-0042, JAPAN		
DATE OF REGISTRATION	26/09/2013	
TITLE	BEARING DEVICE FOR STABILIZING SLOPING EARTH STRUCTURES	
PRIORITY NA		


DESIGN NUMBER	256419		
CLASS	09-07		
1)MRS. SONAL S. GANDHI, DHIREN C. GANDHI HUF, CHANDRAKANT D. GANDHI AND MRS. PARUL N. MEHTA ALL INDIAN NATIONALS WHOSE ADDRESS IS 25/B, G.I.D.C., INDUSTRIAL ESTATE, WAGHODIA, VADODARA 391 760, GUJARAT			
DATE OF REGISTRATION	13/09/2013		
TITLE	WINE PUMP		
PRIORITY NA			
DESIGN NUMBER	256781		
CLASS	03-01		
1)MAGPUL INDUSTRIES CORPORATION, 400 YOUNG COURT, UNIT 1, ERIE, COLORADO 80516, UNITED STATES OF AMERICA, A COLORADO CORPORATION			
DATE OF REGISTRATION	25/09/2013		
TITLE	CASE FOR A SMART PHONE		
PRIORITY			
PRIORITY NUMBER	DATE	COUNTRY	
29/452,374	16/04/2013	U.S.A.	
DESIGN NUMBER			
CLASS			
1)HYPER THERM, INC., A CORPORATION ORGANIZED AND EXISTING UNDER THE LAWS OF THE STATE OF NEW HAMPSHIRE, UNITED STATES OF AMERICA WHO ARE AMERICAN BY NATIONALITY AND WHOSE ADDRESS IS 21 GREAT HOLLOW ROAD, HANOVER, NH, 03755, UNITED STATES OF AMERICA			
DATE OF REGISTRATION	14/08/2013		
TITLE	SHIELD FOR A PLASMA ARC CUTTING TORCH		
PRIORITY			
PRIORITY NUMBER	DATE	COUNTRY	
201330142846.5	26/04/2013	CHINA	

DESIGN NUMBER	257212	
CLASS	25-01	
1)STANDARD BELEX (INDIA) PVT. LTD. (A COMPANY INCORPORATED UNDER THE COMPANIES ACT, 1956) HAVING ITS PRINCIPAL PLACE OF BUSINESS AT ADDRESS PLOT NO. 463, G.I.D.C. ESTATE, POR-RAMANGAMDI-391243, DIST.: VADODARA, GUJARAT-INDIA		
DATE OF REGISTRATION	04/10/2013	
TITLE	CONCRETE FORM WORK FRAME	
PRIORITY NA		
DESIGN NUMBER	256798	
CLASS	07-01	
1)1) NISHITA THAKURDAS AND 2) ABDULLA JAMAL BOTH RESIDING AT 206, CHRISTELLA, VILLA NO. 6, WHITEFIELD MAIN ROAD, WHITEFIELD, BANGALORE 560066 KARNATAKA, INDIA AND TRADING AS PARTNERS OF M/S. NISHITA DESIGN, SITUATED AT THE AFORE-MENTIONED ADDRESS		
DATE OF REGISTRATION	26/09/2013	
TITLE	PLATE	
PRIORITY NA		
DESIGN NUMBER	256866	
CLASS	07-01	
1)SHRI RAM & COMPANY AN INDIAN SOLE PROPRIETORSHIP FIRM AT 1/6, VIKRAM VIHAR, GURUDWARA ROAD, NEW DOUBLE STOREY, LAJPAT NAGAR-IV, NEW DELHI-110 024 WHOSE PROPRIETOR IS GURDEEP SINGH AS AN INDIAN NATIONAL OF ABOVE ADDRESS		
DATE OF REGISTRATION	27/09/2013	
TITLE	LID	
PRIORITY NA		

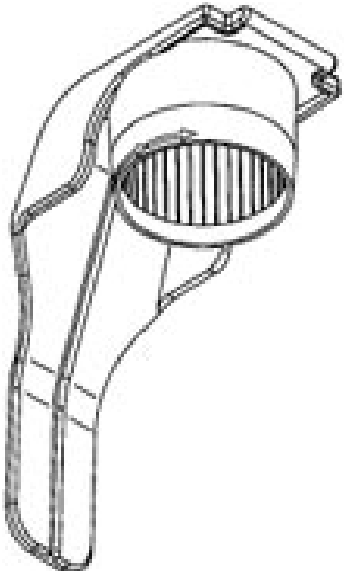
DESIGN NUMBER	256733	
CLASS	14-02	
1)SAMSUNG ELECTRONICS CO., LTD., A KOREAN COMPANY, OF 129, SAMSUNG-RO, YEONGTONG-GU, SUWON-SI, GYEONGGI-DO, 443-742M REPUBLIC OF KOREA		
DATE OF REGISTRATION	24/09/2013	
TITLE	TELEVISION RECEIVER	
PRIORITY		
PRIORITY NUMBER	DATE	COUNTRY
30-2013-0015152	25/03/2013	KOREA(SOUTH)



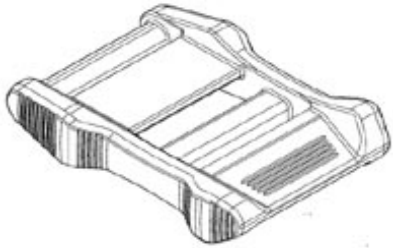


DESIGN NUMBER	255265	
CLASS	26-05	
1)HAVELLS INDIA LIMITED HAVING REGISTERED OFFICE AT 1, RAJ NARAIN MARG, CIVIL LINES, DELHI 110054		
DATE OF REGISTRATION	16/07/2013	
TITLE	DOWN LIGHTER	
PRIORITY NA		



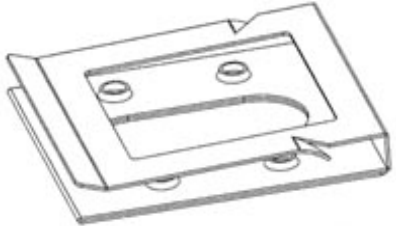


DESIGN NUMBER	256043	
CLASS	09-07	
1)HOUSE OF AUTH, LLC OF THE ADDRESS 1540 RIVERBANK ROAD, STAMFORD, CT 06903, US		
DATE OF REGISTRATION	26/08/2013	
TITLE	BOTTLE CAP	
PRIORITY		
PRIORITY NUMBER	DATE	COUNTRY
29446778	27/02/2013	U.S.A.

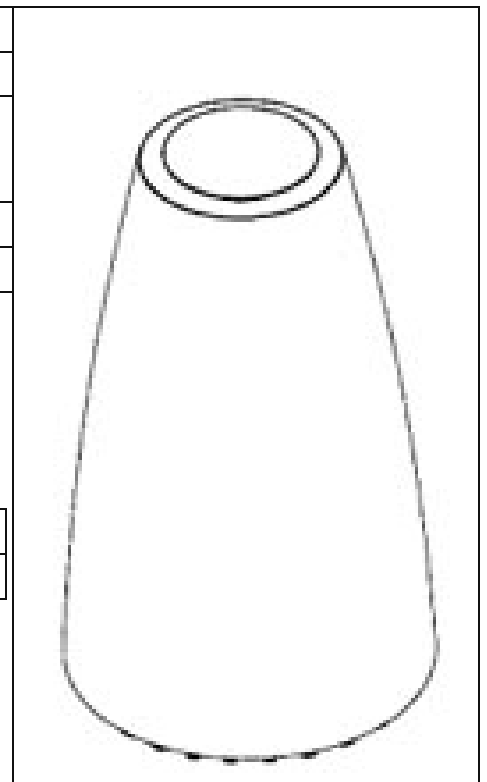


DESIGN NUMBER	257573	
CLASS	23-04	
1)DAYAL CHAND TRADING AS M/S. SIGMA REFRIGERATION WORKS, 3745, SHOP NO. 1 & 7, KUCHA PARMANAND, NETAJI SUBHASH MARG, DARYA GANJ, NEW DELHI-110 002, INDIA (A SOLE PROPRIETORSHIP FIRM)		
DATE OF REGISTRATION	21/10/2013	
TITLE	LIQUID LINE FILTER DRIER	
PRIORITY NA		
DESIGN NUMBER	256824	
CLASS	02-01	
1)GALAXY CLOTHING CO., (AN INDIAN SOLE PROPRIETORSHIP CONCERN), HAVING OFFICE AT GALA NO. 212, SHREEJI INDUSTRIAL ESTATE, SUBHASH ROAD, JOGESHWARI (EAST), MUMBAI-400060, MAHARASHTRA, INDIA.		
WHOSE PROPRIETOR IS NIMESH JAYANTILAL SHAH. (INDIAN NATIONAL) OF ABOVE ADDRESS		
DATE OF REGISTRATION	26/09/2013	
TITLE	SHIRT	
PRIORITY NA		
DESIGN NUMBER	256637	
CLASS	04-02	
1)ANCHOR HEALTH & BEAUTY CARE PVT. LTD., 201-C, WING, INNOVA MARATHON NEXT GEN., OFF G.K.MARG, OPP. PENINSULA CORPORATE PARK, LOWER PAREL (W), MUMBAI-4000 13. STATE OF MAHARASHTRA INDIA,		
/ A PRIVATE LIMITED COMPANY INCORPORATED UNDER INDIAN COMPANIES ACT., ABOVE ADDRESS		
DATE OF REGISTRATION	20/09/2013	
TITLE	TOOTH BRUSH	
PRIORITY NA		

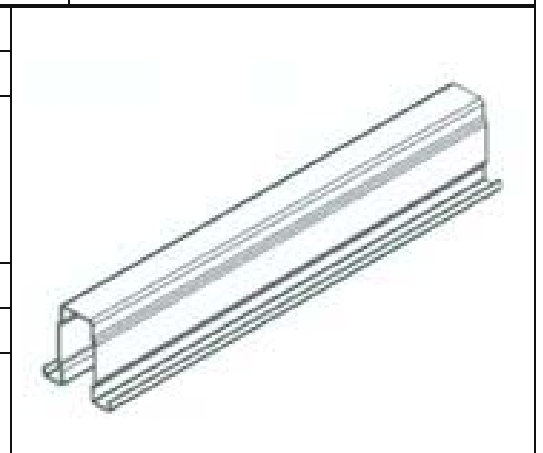
DESIGN NUMBER	256783		
CLASS	24-04		
1)MAGPUL INDUSTRIES CORPORATION, 400 YOUNG COURT, UNIT 1, ERIE, COLORADO 80516, UNITED STATES OF AMERICA, A COLORADO CORPORATION			
DATE OF REGISTRATION	25/09/2013		
TITLE	BUCKLE FOR A SLING		
PRIORITY			
PRIORITY NUMBER	DATE	COUNTRY	
29/453,793	02/05/2013	U.S.A.	
DESIGN NUMBER	257213		
CLASS	25-01		
1)STANDARD BELEX (INDIA) PVT. LTD. (A COMPANY INCORPORATED UNDER THE COMPANIES ACT, 1956) HAVING ITS PRINCIPAL PLACE OF BUSINESS AT ADDRESS PLOT NO. 463, G.I.D.C. ESTATE, POR-RAMANGAMDI-391243, DIST.: VADODARA, GUJARAT-INDIA			
DATE OF REGISTRATION	04/10/2013		
TITLE	CONCRETE FORM WORK FRAME		
PRIORITY NA			
DESIGN NUMBER	246003		
CLASS	13-03		
1)MR. SAURAV AGARWAL (AN INDIAN NATIONAL), S/O SHRI PRABHU DAYAL AGARWAL, A-62, MAY FAIR GARDENS, NEW DELHI-110016, (INDIA)			
DATE OF REGISTRATION	18/06/2012		
TITLE	ELECTRIC SWITCH		
PRIORITY NA			

DESIGN NUMBER	257591		
CLASS	26-05		
1)M/S SHREE SANT KRIPA INTELLECTUAL, HAVING OFFICE AT 7, AKSHAY COMPLEX, OFF. DHOLE PATIL ROAD, PUNE-411001, MAHARASHTRA, INDIA, AN INDIAN COMPANY			
DATE OF REGISTRATION	21/10/2013		
TITLE	CEILING FIXTURE FOR LAMPS		
PRIORITY NA			
DESIGN NUMBER	258297		
CLASS	02-04		
1)MR. PIYUSH GOYAL, AN INDIAN CITIZEN, PROPRIETOR OF PIYUSH POLYMERS, AN INDIAN PROPRIETORSHIP COMPANY OF A-61, MANGOLPURI, INDUSTRIAL AREA, PHASE II, DELHI-110053, INDIA			
DATE OF REGISTRATION	22/11/2013		
TITLE	FOOTWEAR		
PRIORITY NA			
DESIGN NUMBER	256438		
CLASS	08-08		
1)HUBBELL INCORPORATED, 40 WATERVIEW DRIVE, P.O. BOX 1000, SHELTON, CONNECTICUT 06484-1000 UNITED STATES, A CORPORATION OF THE STATE OF CONNECTICUT, USA			
DATE OF REGISTRATION	13/09/2013		
TITLE	CLIP-ON BONDING WASHER		
PRIORITY			
PRIORITY NUMBER	DATE	COUNTRY	
29/450,142	15/03/2013	U.S.A.	

DESIGN NUMBER	256656	
CLASS	14-01	
1)BANG & OLUFSEN A/S, A DANISH PUBLIC LIMITED COMPANY OF THE ADDRESS PETER BANGS VEJ 15, 7600 STRUER, DENMARK		
DATE OF REGISTRATION	20/09/2013	
TITLE	SUBWOOFER	
PRIORITY		
PRIORITY NUMBER	DATE	COUNTRY
002207563-0002	22/03/2013	OHIM



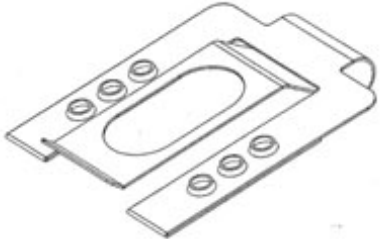




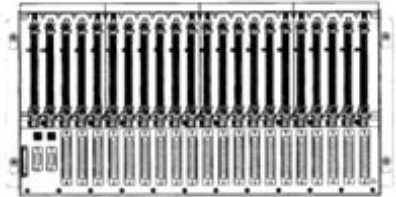
DESIGN NUMBER	257215	
CLASS	25-01	
1)STANDARD BELEX (INDIA) PVT. LTD. (A COMPANY INCORPORATED UNDER THE COMPANIES ACT, 1956) HAVING ITS PRINCIPAL PLACE OF BUSINESS AT ADDRESS PLOT NO. 463, G.I.D.C. ESTATE, POR-RAMANGAMDI-391243, DIST.: VADODARA, GUJARAT-INDIA		
DATE OF REGISTRATION	04/10/2013	
TITLE	CONCRETE FORM WORK FRAME	
PRIORITY NA		

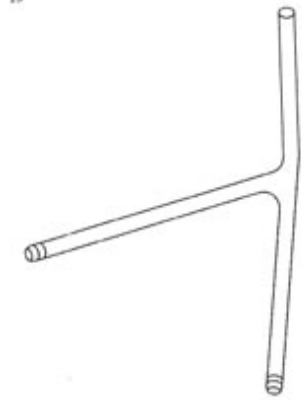




DESIGN NUMBER	257592	
CLASS	26-05	
1)M/S SHREE SANT KRIPA INTELLECTUAL, HAVING OFFICE AT 7, AKSHAY COMPLEX, OFF. DHOLE PATIL ROAD, PUNE-411001, MAHARASHTRA, INDIA, AN INDIAN COMPANY		
DATE OF REGISTRATION	21/10/2013	
TITLE	CEILING FIXTURE FOR LAMPS	
PRIORITY NA		



DESIGN NUMBER	256827		
CLASS	02-01		
1) GALAXY CLOTHING CO., (AN INDIAN SOLE PROPRIETORSHIP CONCERN), HAVING OFFICE AT GALA NO. 212, SHREEJEE INDUSTRIAL ESTATE, SUBHASH ROAD, JOGESHWARI (EAST), MUMBAI-400060, MAHARASHTRA, INDIA. WHOSE PROPRIETOR IS NIMESH SHAH. (INDIAN NATIONAL) OF ABOVE ADDRESS			
DATE OF REGISTRATION	26/09/2013		
TITLE	SHIRT		
PRIORITY NA			
DESIGN NUMBER	255473		
CLASS	14-99		
1) BARCO N.V., PRESIDENT KENNEDYPARK 35, B-8500 KORTRIJK, BELGIUM			
DATE OF REGISTRATION	29/07/2013		
TITLE	VIDEO DISPLAY SYSTEM		
PRIORITY			
PRIORITY NUMBER	DATE	COUNTRY	
002266635	02/07/2013	OHIM	
DESIGN NUMBER	256439		
CLASS	08-08		
1) HUBBELL INCORPORATED, 40 WATERVIEW DRIVE, P.O. BOX 1000, SHELTON, CONNECTICUT 06484-1000 UNITED STATES, A CORPORATION OF THE STATE OF CONNECTICUT, USA			
DATE OF REGISTRATION	13/09/2013		
TITLE	CLIP-ON BONDING WASHER		
PRIORITY			
PRIORITY NUMBER	DATE	COUNTRY	
29/450,142	15/03/2013	U.S.A.	

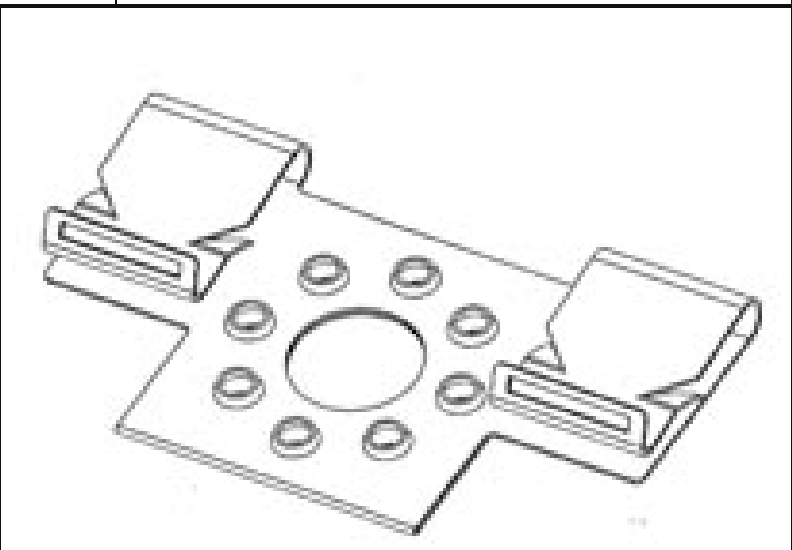
DESIGN NUMBER	257216		
CLASS	25-01		
1)STANDARD BELEX (INDIA) PVT. LTD. (A COMPANY INCORPORATED UNDER THE COMPANIES ACT, 1956) HAVING ITS PRINCIPAL PLACE OF BUSINESS AT ADDRESS PLOT NO. 463, G.I.D.C. ESTATE, POR-RAMANGAMDI-391243, DIST.: VADODARA, GUJARAT-INDIA			
DATE OF REGISTRATION	04/10/2013		
TITLE	CONCRETE FORM WORK FRAME		
PRIORITY NA			
DESIGN NUMBER	259277		
CLASS	12-11		
1)BAJAJ AUTO LIMITED, AN INDIAN COMPANY, INCORPORATED UNDER THE COMPANIES ACT OF 1956, HAVING ITS PRINCIPAL PLACE OF BUSINESS AT NEW 2ND & 3RD FLOOR, KHIVRAJ BUILDING, NO. 616, ANNASALAI, CHENNAI - 600006, STATE OF TAMIL NADU, INDIA, AND REGISTERED OFFICE AT AKURDI, PUNE-411035, STATE OF MAHARASHTRA, INDIA			
DATE OF REGISTRATION	07/01/2014		
TITLE	SEAT ASSEMBLY FOR MOTORCYCLE		
PRIORITY NA			
DESIGN NUMBER	253790		
CLASS	14-03		
1)ABB TECHNOLOGY LTD., AFFOLTERNSTRASSE 44, ZURICH, CH-8050, SWITZERLAND			
DATE OF REGISTRATION	13/05/2013		
TITLE	BACKPLANE OF CONTROL DEVICE USED FOR INPUT/OUTPUT MODULE		
PRIORITY			
PRIORITY NUMBER	DATE	COUNTRY	
201230630049.7	14/12/2012	CHINA	

DESIGN NUMBER	256732		
CLASS	14-02		
1)SAMSUNG ELECTRONICS CO., LTD., A KOREAN COMPANY, OF 129, SAMSUNG-RO, YEONGTONG-GU, SUWON-SI, GYEONGGI-DO, 443-742M REPUBLIC OF KOREA			
DATE OF REGISTRATION	24/09/2013		
TITLE	STAND FOR TELEVISION RECEIVER		
PRIORITY			
PRIORITY NUMBER	DATE	COUNTRY	
30-2013-0015155	25/03/2013	KOREA(SOUTH)	
DESIGN NUMBER	257597		
CLASS	26-05		
1)M/S SHREE SANT KRIPA INTELLECTUAL, HAVING OFFICE AT 7, AKSHAY COMPLEX, OFF. DHOLE PATIL ROAD, PUNE-411001, MAHARASHTRA, INDIA, AN INDIAN COMPANY			
DATE OF REGISTRATION	21/10/2013		
TITLE	CEILING FIXTURE FOR LAMPS		
PRIORITY NA			
DESIGN NUMBER	256830		
CLASS	02-01		
1)GALAXY CLOTHING CO., (AN INDIAN SOLE PROPRIETORSHIP CONCERN), HAVING OFFICE AT GALA NO. 212, SHREEJEE INDUSTRIAL ESTATE, SUBHASH ROAD, JOGESHWARI (EAST), MUMBAI-400060, MAHARASHTRA, INDIA. WHOSE PROPRIETOR IS NIMESH SHAH. (INDIAN NATIONAL) OF ABOVE ADDRESS			
DATE OF REGISTRATION	26/09/2013		
TITLE	SHIRT		
PRIORITY NA			

DESIGN NUMBER	255481	
CLASS	14-99	
1)BARCO N.V., PRESIDENT KENNEDYPARK 35, B-8500 KORTRIJK, BELGIUM		
DATE OF REGISTRATION	29/07/2013	
TITLE	VIDEO DISPLAY SYSTEM	
PRIORITY		
PRIORITY NUMBER	DATE	COUNTRY
002266635	02/07/2013	OHIM

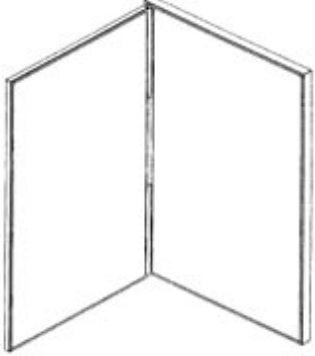






DESIGN NUMBER	256442	
CLASS	08-08	
1)HUBBELL INCORPORATED, 40 WATERVIEW DRIVE, P.O. BOX 1000, SHELTON, CONNECTICUT 06484-1000 UNITED STATES, A CORPORATION OF THE STATE OF CONNECTICUT, USA		
DATE OF REGISTRATION	13/09/2013	
TITLE	CLIP-ON BONDING WASHER	
PRIORITY		
PRIORITY NUMBER	DATE	COUNTRY
29/450,142	15/03/2013	U.S.A.



DESIGN NUMBER	256600	
CLASS	08-06	
1)HARESHBHAI SAVJIBHA FACHARA (INDIAN NATIONAL) AND SOLE PROPRIETOR OF M/S. J. B. ENTERPRISE HAVING PLACE OF BUSINESS AT, PLOT NO. 01, SURVEY NO. 31, NR. RAJ FIBER, VAVDI, GONDAL ROAD, RAJKOT. (GUJARAT)		
DATE OF REGISTRATION	19/09/2013	
TITLE	HANDLE	
PRIORITY NA		

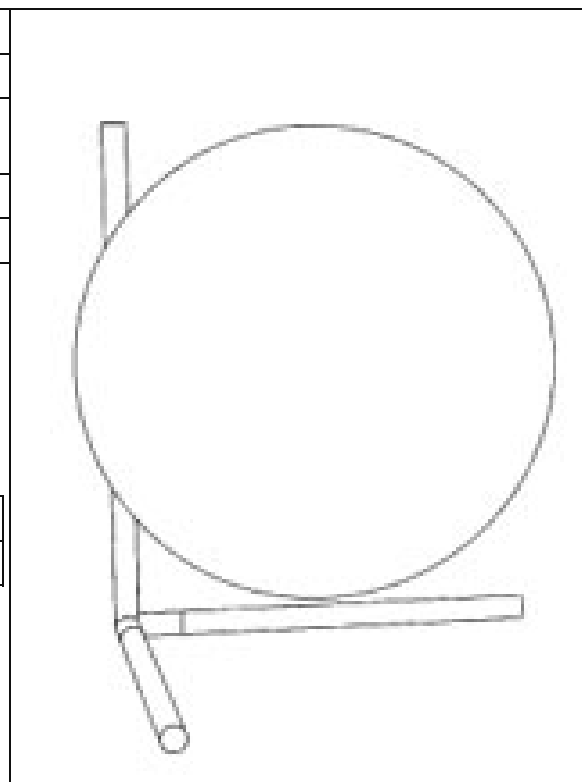


DESIGN NUMBER	257114		
CLASS	26-05		
1)FLOS S.P.A., AN ITALIAN COMPANY, VIA A. FAINI, 2, I-25073 BOVEZZO, BRESCIA, ITALY.			
DATE OF REGISTRATION	30/09/2013		
TITLE	TABLE LAMP		
PRIORITY			
PRIORITY NUMBER	DATE	COUNTRY	
BS2013O000014	05/04/2013	ITALY	
DESIGN NUMBER	257595		
CLASS	26-05		
1)M/S SHREE SANT KRIPA INTELLECTUAL, HAVING OFFICE AT 7, AKSHAY COMPLEX, OFF. DHOLE PATIL ROAD, PUNE-411001, MAHARASHTRA, INDIA, AN INDIAN COMPANY			
DATE OF REGISTRATION	21/10/2013		
TITLE	CEILING FIXTURE FOR LAMPS		
PRIORITY NA			
DESIGN NUMBER	256829		
CLASS	02-01		
1)GALAXY CLOTHING CO., (AN INDIAN SOLE PROPRIETORSHIP CONCERN), HAVING OFFICE AT GALA NO. 212, SHREEJEE INDUSTRIAL ESTATE, SUBHASH ROAD, JOGESHWARI (EAST), MUMBAI-400 060, MAHARASHTRA, INDIA. WHOSE PROPRIETOR IS NIMESH SHAH. (INDIAN NATIONAL) OF ABOVE ADDRESS			
DATE OF REGISTRATION	26/09/2013		
TITLE	SHIRT		
PRIORITY NA			

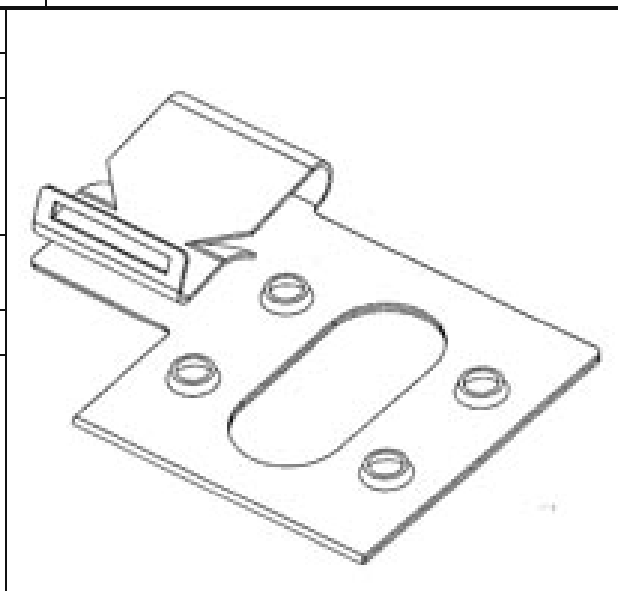
DESIGN NUMBER	257113	
CLASS	09-05	
1)LUXOR WRITING INSTRUMENTS PVT. LIMITED, AN INDIAN COMPANY, OF 229, OKHLA INDUSTRIAL ESTATE, PHASE-III, NEW DELHI, INDIA		
DATE OF REGISTRATION	30/09/2013	
TITLE	BLISTER PACK	
PRIORITY NA		
DESIGN NUMBER	256078	
CLASS	31-00	
1)SIDDHARTHA CHATTERJEE (SOLE PROPRIETOR BEING INDIAN CITIZEN) TRADING AS "M/S SARADA ROBOTECH" OF 30, CHOWDHURY PARA STREET, UTTARPARA, HOOGHLY-712258, WEST BENGAL, INDIA		
DATE OF REGISTRATION	27/08/2013	
TITLE	SWEET MAKING MACHINE	
PRIORITY NA		
DESIGN NUMBER	253386	
CLASS	09-01	
1)M/S EMAMI LIMITED, A COMPANY INCORPORATED UNDER INDIAN COMPANIES ACT, 1956 HAVING ITS REGISTERED OFFICE ADDRESS AT 687, ANANDAPUR, EM BYPASS, KOLKATA-700107, INDIA BY NATIONALITY INDIAN		
DATE OF REGISTRATION	23/04/2013	
TITLE	BOTTLE WITH CAP	
PRIORITY NA		

DESIGN NUMBER	259338	
CLASS	11-01	
1)H. K JEWELS PVT. LTD. A COMPANY REGISTERED UNDER COMPANY ACT 1956 OF 1701-A, 17TH FLOOR, THE CAPITAL BUILDING, B-WING, OPP ICICI BANK, BANDRA KURLA COMPLEX, BANDRA (E), MUMBAI-400051, INDIA		
DATE OF REGISTRATION	10/01/2014	
TITLE	PENDANT	
PRIORITY NA		
DESIGN NUMBER	259379	
CLASS	08-06	
1)BHARATBHAI BHURABHAI DOMADIA AND KALPESHBHAI VELJIBHAI DOMADIA BOTH INDIAN NATIONAL PARTNERS OF APEX TECHNOCAST AN INDIAN PARTNERSHIP FIRM HAVING ITS PRINCIPAL PLACE OF BUSINESS AT 5, AJI VASAHAAT, OPP. WESTERN MINERAL, 80 FEET ROAD, RAJKOT, GUJARAT-INDIA		
DATE OF REGISTRATION	13/01/2014	
TITLE	HANDLE	
PRIORITY NA		
DESIGN NUMBER	259378	
CLASS	08-06	
1)BHARATBHAI BHURABHAI DOMADIA AND KALPESHBHAI VELJIBHAI DOMADIA BOTH INDIAN NATIONAL PARTNERS OF APEX TECHNOCAST AN INDIAN PARTNERSHIP FIRM HAVING ITS PRINCIPAL PLACE OF BUSINESS AT 5, AJI VASAHAAT, OPP. WESTERN MINERAL, 80 FEET ROAD, RAJKOT, GUJARAT-INDIA		
DATE OF REGISTRATION	13/01/2014	
TITLE	HANDLE	
PRIORITY NA		

DESIGN NUMBER	256832	
CLASS	26-05	
1)FLOS S.P.A., AN ITALIAN COMPANY, VIA A. FAINI, 2, I-25073 BOVEZZO, BRESCIA, ITALY.		
DATE OF REGISTRATION	26/09/2013	
TITLE	TABLE LAMP	
PRIORITY		
PRIORITY NUMBER	DATE	COUNTRY
BS2013O000012	29/03/2013	ITALY






DESIGN NUMBER	256444	
CLASS	08-08	
1)HUBBELL INCORPORATED, 40 WATERVIEW DRIVE, P.O. BOX 1000, SHELTON, CONNECTICUT 06484-1000 UNITED STATES, A CORPORATION OF THE STATE OF CONNECTICUT, USA		
DATE OF REGISTRATION	13/09/2013	
TITLE	CLIP-ON BONDING WASHER	
PRIORITY		
PRIORITY NUMBER	DATE	COUNTRY
29/450,142	15/03/2013	U.S.A.



DESIGN NUMBER	256602	
CLASS	08-06	
1)HARESHBHAI SAVJIBHA FACHARA (INDIAN NATIONAL) AND SOLE PROPRIETOR OF M/S. J. B. ENTERPRISE HAVING PLACE OF BUSINESS AT, PLOT NO. 01, SURVEY NO. 31, NR. RAJ FIBER, VAVDI, GONDAL ROAD, RAJKOT. (GUJARAT)		
DATE OF REGISTRATION	19/09/2013	
TITLE	HANDLE	
PRIORITY NA		



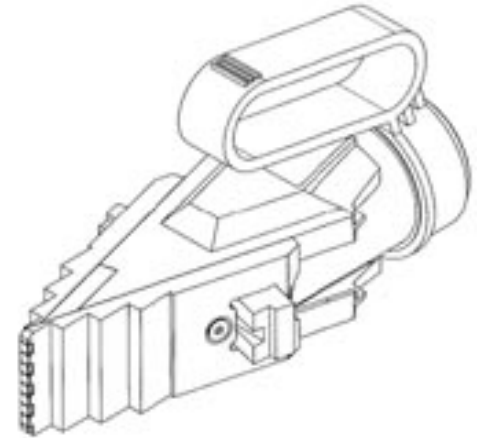
DESIGN NUMBER	257116		
CLASS	26-05		
1)FLOS S.P.A., AN ITALIAN COMPANY, VIA A. FAINI, 2, I-25073 BOVEZZO, BRESCIA, ITALY.			
DATE OF REGISTRATION	30/09/2013		
TITLE	TABLE LAMP		
PRIORITY			
PRIORITY NUMBER	DATE	COUNTRY	
BS2013O000014	05/04/2013	ITALY	
DESIGN NUMBER	257224		
CLASS	10-04		
1)FREEMANS MEASURES PVT. LTD, AN INDIAN COMPANY, G. T. ROAD, JUGIANA, LUDHIANA - 141117, PUNJAB, INDIA, AN INDIAN COMPANY			
DATE OF REGISTRATION	07/10/2013		
TITLE	MEASURING TAPE		
PRIORITY NA			
DESIGN NUMBER	259481		
CLASS	08-06		
1)DILIPBHAI BACHUBHAI HIRPARA (INDIAN NATIONALS) AND SOLE PROPRIETOR OF JANKI DIE-CAST (INDIAN PROPRIETORSHIP CONCERN) HAVING PLACE OF BUSINESS AT-PLOT NO. 834, AJI INDUSTRIAL AREA, NR; SITARAM WAY BRIDGE, OPP: MUNICIPAL WORKSHOP, BHAVNAGAR ROAD, RAJKOT-GUJARAT (INDIA)			
DATE OF REGISTRATION	20/01/2014		
TITLE	HANDLE		
PRIORITY NA			

DESIGN NUMBER	256665	
CLASS	13-03	
1) LARSEN & TOUBRO LIMITED, AN INDIAN COMPANY INCORPORATED UNDER THE COMPANIES ACT, 1956 OF L & T HOUSE, BALLARD ESTATE, MUMBAI 400 001, STATE OF MAHARASHTRA, INDIA		
DATE OF REGISTRATION	20/09/2013	
TITLE	SUBMERSIBLE PUMP CONTROLLER	
PRIORITY NA		
DESIGN NUMBER	253992	
CLASS	26-05	
1) MAQUET SAS, A FRENCH COMPANY OF, PARC DE LIMÈRE, AVENUE DE LA POMME DE PIN, 45160 ARDON, FRANCE		
DATE OF REGISTRATION	21/05/2013	
TITLE	SUPPORTING ARM FOR SURGICAL LIGHTING	
PRIORITY		
PRIORITY NUMBER	DATE	COUNTRY
002178020-0001	04/02/2013	OHIM
DESIGN NUMBER	256219	
CLASS	23-02	
1) KOHLER CO., A COMPANY ORGANIZED AND EXISTING UNDER THE LAW OF USA, OF 444 HIGHLAND DRIVE, KOHLER, WISCONSIN 53044, UNITED STATES OF AMERICA		
DATE OF REGISTRATION	04/09/2013	
TITLE	WATER CLOSET	
PRIORITY		
PRIORITY NUMBER	DATE	COUNTRY
29/448,058	08/03/2013	U.S.A.

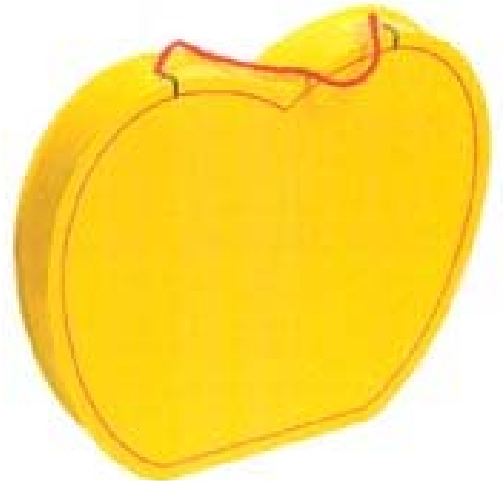


DESIGN NUMBER	252299		
CLASS	09-05		
1) SOCIÉTÉ DES PRODUITS NESTLÉ S.A. A COMPANY INCORPORATED UNDER THE LAWS OF THE SWITZERLAND HAVING ITS REGISTERED OFFICE AT 1800 VEVEY, SWITZERLAND			
DATE OF REGISTRATION	14/03/2013		
TITLE	PACKAGING FOR FOODSTUFFS		
PRIORITY			
PRIORITY NUMBER	DATE	COUNTRY	
139222	09/10/2012	SWITZERLAND	
DESIGN NUMBER	256838		
CLASS	26-05		
1) FLOS S.P.A., AN ITALIAN COMPANY, VIA A. FAINI, 2, I-25073 BOVEZZO, BRESCIA, ITALY			
DATE OF REGISTRATION	26/09/2013		
TITLE	SUSPENSION LAMP		
PRIORITY			
PRIORITY NUMBER	DATE	COUNTRY	
BS2013O000012	29/03/2013	ITALY	
DESIGN NUMBER	259484		
CLASS	08-08		
1) RAJILKUMAR MANGANLAL TRAMBADIA (ADULT & INDIAN NATIONAL) SOLE PROPRIETOR OF SHREE NILKANTHVARNI CREATION (INDIAN PROPRIETORSHIP CONCERN) HAVING PLACE OF BUSINESS AT: MAVDI PLOT, OPP: ASHOK GARDEN, NAVRANGPARA, RAJKOT-GUJARAT-(INDIA)			
DATE OF REGISTRATION	20/01/2014		
TITLE	CURTAIN BRACKET		
PRIORITY NA			

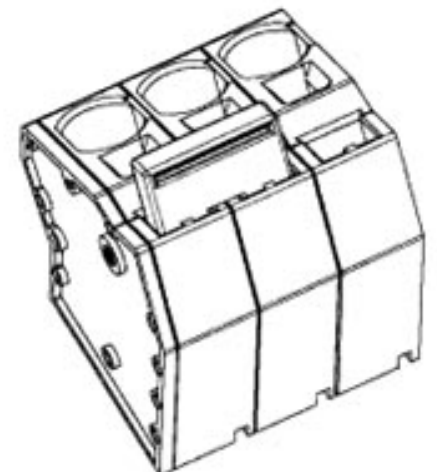
DESIGN NUMBER	256685	
CLASS	08-05	
1)EQUALIZER INTERNATIONAL LIMITED, A BRITISH LIMITED COMPANY, OF EQUALIZER HOUSE, CLAYMORE DRIVE, ABERDEEN SCIENCE & ENERGY PARK, BRIDGE OF DON, ABERDEEN, AB23 8 GD, UNITED KINGDOM		
DATE OF REGISTRATION	23/09/2013	
TITLE	SEPARATOR TOOL	
PRIORITY		
PRIORITY NUMBER	DATE	COUNTRY
002224980-0001	22/04/2013	OHIM


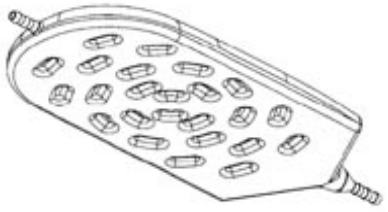






DESIGN NUMBER	257145	
CLASS	09-03	
1)WASFI ALSHDAIFAT, A JORDANIAN CITIZEN, OF P.O. BOX: 46618-ABU DHABI, UAE AND EIDA ALMUHAIRBI, AN EMIRATI CITIZEN, OF P.O. BOX: 46618-ABU DHABI, UAE		
DATE OF REGISTRATION	01/10/2013	
TITLE	CAR COVER BOX	
PRIORITY NA		



DESIGN NUMBER	255891	
CLASS	13-03	
1)PHOENIX CONTACT GMBH & CO. KG; A GERMAN COMPANY OF BRUNO MUTH, FLACHSMARKTSTR. 8, D-32825 BLOMBERG, GERMANY		
DATE OF REGISTRATION	19/08/2013	
TITLE	ELECTRIC CONNECTOR	
PRIORITY		
PRIORITY NUMBER	DATE	COUNTRY
002190058-0006	22/02/2013	OHIM



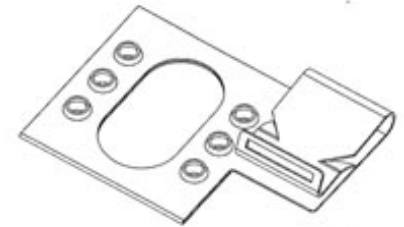
DESIGN NUMBER	256835		
CLASS	26-05		
1)FLOS S.P.A., AN ITALIAN COMPANY, VIA A. FAINI, 2, I-25073 BOVEZZO, BRESCIA, ITALY.			
DATE OF REGISTRATION	26/09/2013		
TITLE	TABLE LAMP		
PRIORITY			
PRIORITY NUMBER	DATE	COUNTRY	
BS2013O000012	29/03/2013	ITALY	
DESIGN NUMBER			
255410			
CLASS	09-03		
1)STEMPEUTICS RESEARCH PRIVATE LIMITED, A COMPANY REGISTERED UNDER THE COMPANIES ACT, 1956 HAVING ITS REGISTERED OFFICE AT AKSHAY TECH PARK, 72 &73, 2ND FLOOR EPIP ZONE, PHASE 1-AREA WHITEFIELD, BANGALORE 560066, KARNATAKA, INDIA, NATIONALITY: INDIAN			
DATE OF REGISTRATION	26/07/2013		
TITLE	AGITATION CONTAINER		
PRIORITY NA			
DESIGN NUMBER			
259483			
CLASS	08-08		
1)RAJILKUMAR MANGANLAL TRAMBADIA (ADULT & INDIAN NATIONAL) SOLE PROPRIETOR OF SHREE NILKANTHVARNI CREATION (INDIAN PROPRIETORSHIP CONCERN) HAVING PLACE OF BUSINESS AT: MAVDI PLOT, OPP: ASHOK GARDEN, NAVRANGPARA, RAJKOT-GUJARAT-(INDIA)			
DATE OF REGISTRATION	20/01/2014		
TITLE	CURTAIN BRACKET		
PRIORITY NA			

DESIGN NUMBER	256683	
CLASS	06-01	
1)NILKAMAL LIMITED OF SURVEY NO. - 354/2 & 354/3, NEAR RAKHOLI BRIDGE, SILVASSA - KHANVEL ROAD, VILLAGE VASONA, SILVASSA (D & N. H.), (U. T.), INDIA, INDIAN COMPANY		
DATE OF REGISTRATION	23/09/2013	
TITLE	CHAIR	
PRIORITY NA		
DESIGN NUMBER	256831	
CLASS	02-01	
1)GALAXY CLOTHING CO., (AN INDIAN SOLE PROPRIETORSHIP CONCERN), HAVING OFFICE AT GALA NO. 212, SHREEJEE INDUSTRIAL ESTATE, SUBHASH ROAD, JOGESHWARI (EAST), MUMBAI-400060, MAHARASHTRA, INDIA. WHOSE PROPRIETOR IS NIMESH SHAH. (INDIAN NATIONAL) OF ABOVE ADDRESS		
DATE OF REGISTRATION	26/09/2013	
TITLE	SHIRT	
PRIORITY NA		
DESIGN NUMBER	253605	
CLASS	09-03	
1)M/S. INDIAN SOYA INDUSTRIES PVT. LTD., (A COMPANY INCORPORATED UNDER THE INDIAN COMPANIES ACT, 1956), 1, 2, 3, 4, A, SECTOR-D, INDUSTRIAL ESTATE, SANWAR ROAD, INDORE (M.P.)		
DATE OF REGISTRATION	01/05/2013	
TITLE	CONTAINER	
PRIORITY NA		

DESIGN NUMBER	255482	
CLASS	14-99	
1)BARCO N.V., PRESIDENT KENNEDYPARK 35, B-8500 KORTRIJK, BELGIUM		
DATE OF REGISTRATION	29/07/2013	
TITLE	VIDEO DISPLAY SYSTEM	
PRIORITY		
PRIORITY NUMBER	DATE	COUNTRY
002266635	02/07/2013	OHIM



DESIGN NUMBER	256443	
CLASS	08-08	
1)HUBBELL INCORPORATED, 40 WATERVIEW DRIVE, P.O. BOX 1000, SHELTON, CONNECTICUT 06484-1000 UNITED STATES, A CORPORATION OF THE STATE OF CONNECTICUT, USA		
DATE OF REGISTRATION	13/09/2013	
TITLE	CLIP-ON BONDING WASHER	
PRIORITY		
PRIORITY NUMBER	DATE	COUNTRY
29/450,142	15/03/2013	U.S.A.



DESIGN NUMBER	257115	
CLASS	26-05	
1)FLOS S.P.A., AN ITALIAN COMPANY, VIA A. FAINI, 2, I-25073 BOVEZZO, BRESCIA, ITALY.		
DATE OF REGISTRATION	30/09/2013	
TITLE	TABLE LAMP	
PRIORITY		
PRIORITY NUMBER	DATE	COUNTRY
BS2013O000014	05/04/2013	ITALY



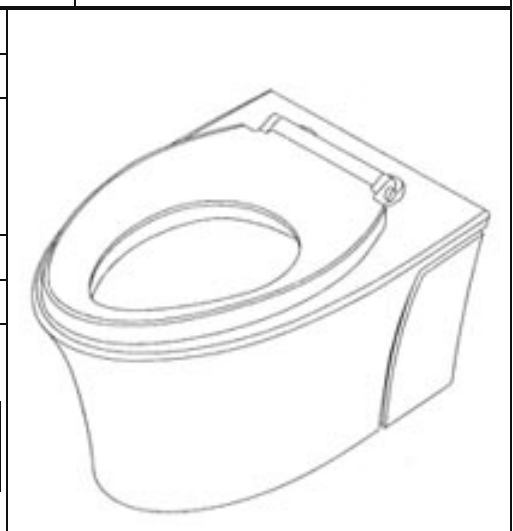
DESIGN NUMBER	257223	
CLASS	21-01	
1)INNISFREE CORPORATION, 191, HANGANGRO 2-GA, YONGSAN-GU, SEOUL, KOREA, NATIONALITY:-KOREAN, LEGAL STATUS:-COMPANY INCORPORATED IN KOREA		
DATE OF REGISTRATION	07/10/2013	
TITLE	PAPER DOLL	
PRIORITY		
PRIORITY NUMBER	DATE	COUNTRY
30-2013-0018195	09/04/2013	REPUBLIC OF KOREA



DESIGN NUMBER	253993	
CLASS	26-05	
1)MAQUET SAS, A FRENCH COMPANY OF, PARC DE LIMÈRE, AVENUE DE LA POMME DE PIN, 45160 ARDON, FRANCE		
DATE OF REGISTRATION	21/05/2013	
TITLE	SUPPORTING ARM FOR SURGICAL LIGHTING	
PRIORITY		
PRIORITY NUMBER	DATE	COUNTRY
002178020-0002	04/02/2013	OHIM



DESIGN NUMBER	256220	
CLASS	23-02	
1)KOHLER CO., A COMPANY ORGANIZED AND EXISTING UNDER THE LAW OF USA, OF 444 HIGHLAND DRIVE, KOHLER, WISCONSIN 53044, UNITED STATES OF AMERICA		
DATE OF REGISTRATION	04/09/2013	
TITLE	WATER CLOSET	
PRIORITY		
PRIORITY NUMBER	DATE	COUNTRY
29/448,058	08/03/2013	U.S.A.



DESIGN NUMBER	256354	
CLASS	24-01	
1)RAZ LIRAN WHOSE ADDRESS IS 15 ZVI SHAPIRA STREET, 7528441 RISHON-LEZION AND AVITAL ERAN WHOSE ADDRESS IS 21 HADERA STREET, 4972619 PETACH-TIKVA BOTH ARE ISRAEL BY NATIONALITY		
DATE OF REGISTRATION	10/09/2013	
TITLE	DEVICE FOR TREATING BACK PAIN	
PRIORITY		
PRIORITY NUMBER	DATE	COUNTRY
29/448,156	11/03/2013	U.S.A.



DESIGN NUMBER	256839	
CLASS	26-05	
1)FLOS S.P.A., AN ITALIAN COMPANY, VIA A. FAINI, 2, I-25073 BOVEZZO, BRESCIA, ITALY.		
DATE OF REGISTRATION	26/09/2013	
TITLE	SUSPENSION LAMP	
PRIORITY		
PRIORITY NUMBER	DATE	COUNTRY
BS2013O000012	29/03/2013	ITALY






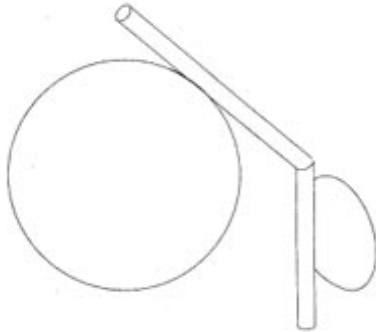
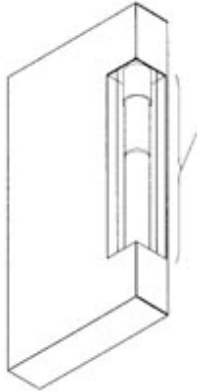

DESIGN NUMBER	256221	
CLASS	23-02	
1)KOHLER CO., A COMPANY ORGANIZED AND EXISTING UNDER THE LAW OF USA, OF 444 HIGHLAND DRIVE, KOHLER, WISCONSIN 53044, UNITED STATES OF AMERICA		
DATE OF REGISTRATION	04/09/2013	
TITLE	WATER CLOSET	
PRIORITY		
PRIORITY NUMBER	DATE	COUNTRY
29/448,058	08/03/2013	U.S.A.

Kohler Co.
App. No. 256221

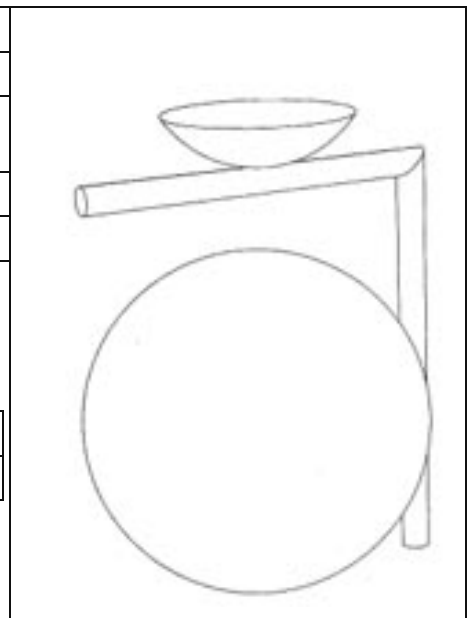
Total sheets: 7
Sheet No. 1



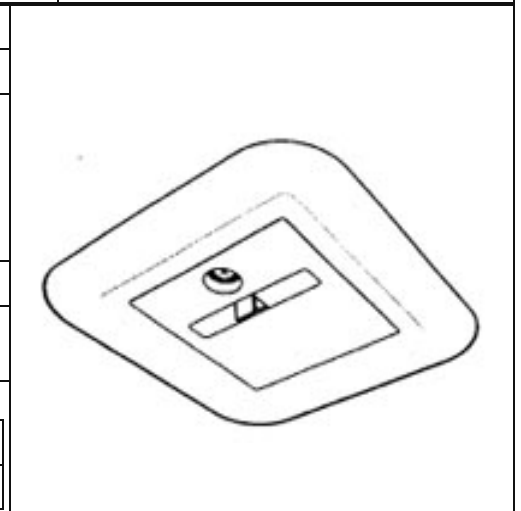
DESIGN NUMBER	256356		
CLASS	23-02		
1) KOHLER CO., A COMPANY ORGANIZED AND EXISTING UNDER THE LAW OF USA, OF 444 HIGHLAND DRIVE, KOHLER, WISCONSIN 53044, UNITED STATES OF AMERICA			
DATE OF REGISTRATION	10/09/2013		
TITLE	LID FOR TOILET TANK		
PRIORITY			
PRIORITY NUMBER	DATE	COUNTRY	
29/448,365	12/03/2013	U.S.A.	
DESIGN NUMBER	257679		
CLASS	12-08		
1) HONDA MOTOR CO., LTD., A CORPORATION OF JAPAN OF 1-1, MINAMI-AOYAMA 2-CHOME, MINATO-KU, TOKYO, 107-8556 JAPAN			
DATE OF REGISTRATION	23/10/2013		
TITLE	CAR		
PRIORITY			
PRIORITY NUMBER	DATE	COUNTRY	
2013-009584	26/04/2013	JAPAN	
DESIGN NUMBER	252426		
CLASS	06-01		
1) STEELCASE INC., 901-44TH STREET, S.E., GRAND RAPIDS, MICHIGAN 49508 USA, NATIONALITY: USA			
DATE OF REGISTRATION	19/03/2013		
TITLE	CHAIR		
PRIORITY			
PRIORITY NUMBER	DATE	COUNTRY	
29/432,768	20/09/2012	U.S.A.	

DESIGN NUMBER	256840		
CLASS	26-05		
1)FLOS S.P.A., AN ITALIAN COMPANY, VIA A. FAINI, 2, I-25073 BOVEZZO, BRESCIA, ITALY.			
DATE OF REGISTRATION	26/09/2013		
TITLE	WALL LAMP		
PRIORITY			
PRIORITY NUMBER	DATE	COUNTRY	
BS2013O000012	29/03/2013	ITALY	
PRIORITY			
PRIORITY NUMBER	DATE	COUNTRY	
29/450,130	15/03/2013	U.S.A.	
PRIORITY			
DESIGN NUMBER	252427		
CLASS	06-01		
1)STEELCASE INC., 901-44TH STREET, S.E., GRAND RAPIDS, MICHIGAN 49508 USA, NATIONALITY: USA			
DATE OF REGISTRATION	19/03/2013		
TITLE	CHAIR		
PRIORITY			
PRIORITY NUMBER	DATE	COUNTRY	
29/432,766	20/09/2012	U.S.A.	

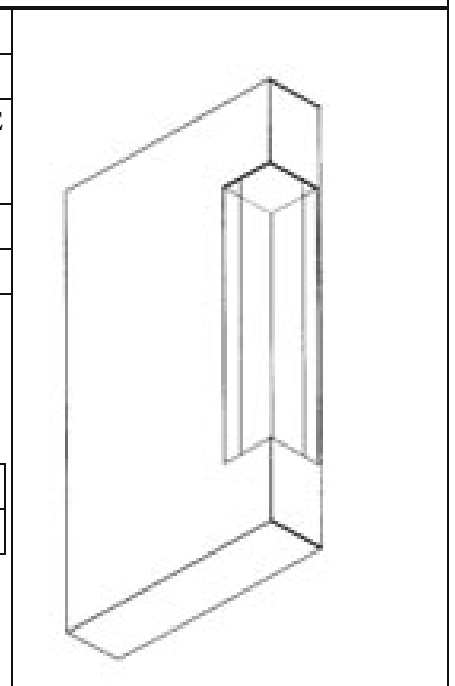
DESIGN NUMBER	256842	
CLASS	26-05	
1)FLOS S.P.A., AN ITALIAN COMPANY, VIA A. FAINI, 2, I-25073 BOVEZZO, BRESCIA, ITALY.		
DATE OF REGISTRATION	26/09/2013	
TITLE	CEILING LAMP	
PRIORITY		
PRIORITY NUMBER	DATE	COUNTRY
BS2013O000012	29/03/2013	ITALY





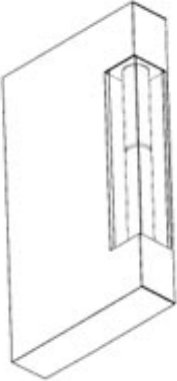
DESIGN NUMBER	253765	
CLASS	24-01	
1)KONINKLIJKE PHILIPS ELECTRONICS N.V., A COMPANY ORGANIZED AND EXISTING UNDER THE LAWS OF THE KINGDOM OF THE NETHERLANDS, RESIDING AT EINDHOVEN, WHOSE POST-OFFICE ADDRESS IS HIGH TECH CAMPUS 5, 5656 AE EINDHOVEN, THE NETHERLANDS		
DATE OF REGISTRATION	09/05/2013	
TITLE	CEILING UNIT FOR RELAXATION OF PATIENT	
PRIORITY		
PRIORITY NUMBER	DATE	COUNTRY
002134510-0001	12/11/2012	OHIM



DESIGN NUMBER	256490	
CLASS	09-03	
1)ALTRIA CLIENT SERVICES INC., A CORPORATION EXISTING UNDER THE LAWS OF THE STATE OF NEW YORK, USA., OF 6601 WEST BROAD STREET, RICHMOND, VIRGINIA 23230, USA		
DATE OF REGISTRATION	16/09/2013	
TITLE	DISPLAY PACKAGE	
PRIORITY		
PRIORITY NUMBER	DATE	COUNTRY
29/450,130	15/03/2013	U.S.A.



DESIGN NUMBER	255640	
CLASS	15-07	
1) LG ELECTRONICS INC. OF 20, YEOUIDO-DONG, YEONGDEUNGPO-GU, SEOUL 150- 721, REPUBLIC OF KOREA		
DATE OF REGISTRATION	05/08/2013	
TITLE	QUICKLIFT DEVICE FOR REFRIGERATOR	
PRIORITY NA		
DESIGN NUMBER	255814	
CLASS	23-03	
1) MUKESH KUMAR AGARWAL (DIRECTOR), NATIONALITY INDIAN TRADING AS KIRANOTICS INDIA PVT. LTD. (THIS IS A PRIVATE LIMITED COMPANY INCORPORATED UNDER COMPANIES ACT, 1956) WHOES ADDRESS IS D-15, SITE-C, INDUSTRIAL AREA, SIKANDRA, AGRA, UTTAR PRADESH (INDIA)		
DATE OF REGISTRATION	14/08/2013	
TITLE	ELECTRIC HEATER	
PRIORITY NA		
DESIGN NUMBER	257772	
CLASS	23-01	
1) WATERTEC (MALAYSIA) SDN BHD. A COMPANY INCORPORATED IN MALAYSIA, WHOSE ADDRESS IS LOT 6, JALAN HALBA 16/16, SECTION 16, 40200 SHAH ALAM, SELANGOR, MALAYSIA		
DATE OF REGISTRATION	25/10/2013	
TITLE	FAUCET	
PRIORITY NA		

DESIGN NUMBER	256364		
CLASS	23-01		
1)THE GATES CORPORATION, A DELAWARE CORPORATION OF 1551 WEWATTA STREET, DENVER, CO 80202, U.S.A.			
DATE OF REGISTRATION	11/09/2013		
TITLE	HYDRAULIC CONNECTOR		
PRIORITY			
PRIORITY NUMBER	DATE	COUNTRY	
29/449,856	15/03/2013	U.S.A.	
DESIGN NUMBER	259275		
CLASS	12-11		
1)BAJAJ AUTO LIMITED, AN INDIAN COMPANY, INCORPORATED UNDER THE COMPANIES ACT OF 1956, HAVING ITS PRINCIPAL PLACE OF BUSINESS AT NEW 2ND & 3RD FLOOR, KHIVRAJ BUILDING, NO. 616, ANNASALAI, CHENNAI - 600006, STATE OF TAMIL NADU, INDIA, AND REGISTERED OFFICE AT AKURDI, PUNE-411035, STATE OF MAHARASHTRA, INDIA			
DATE OF REGISTRATION	07/01/2014		
TITLE	MOTORCYCLE		
PRIORITY NA			
DESIGN NUMBER	256493		
CLASS	09-03		
1)ALTRIA CLIENT SERVICES INC., A CORPORATION EXISTING UNDER THE LAWS OF THE STATE OF NEW YORK, USA., OF 6601 WEST BROAD STREET, RICHMOND, VIRGINIA 23230, USA			
DATE OF REGISTRATION	16/09/2013		
TITLE	DISPLAY PACKAGE		
PRIORITY			
PRIORITY NUMBER	DATE	COUNTRY	
29/450,130	15/03/2013	U.S.A.	

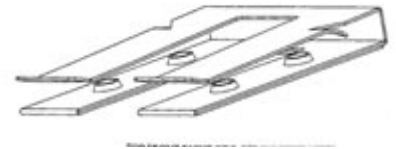
DESIGN NUMBER	256044	
CLASS	09-01	
1)HOUSE OF AUTH, LLC OF THE ADDRESS 1540 RIVERBANK ROAD, STAMFORD, CT 06903, US		
DATE OF REGISTRATION	26/08/2013	
TITLE	BOTTLE	
PRIORITY		
PRIORITY NUMBER	DATE	COUNTRY
29446778	27/02/2013	U.S.A.



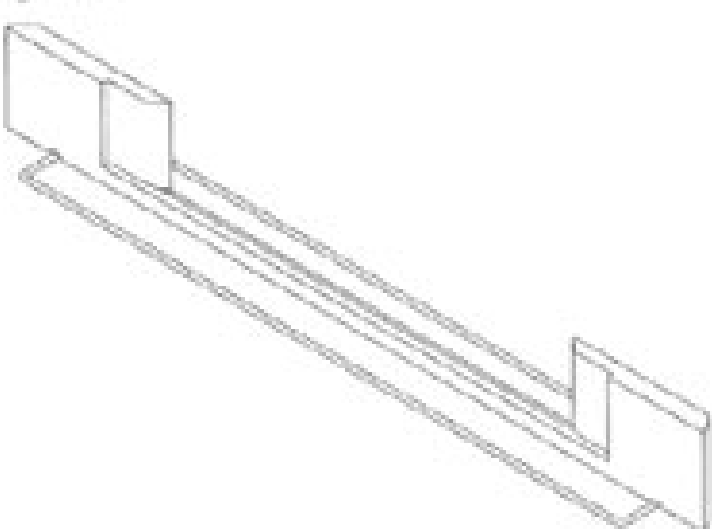
DESIGN NUMBER	257590	
CLASS	26-05	
1)M/S SHREE SANT KRIPA INTELLECTUAL, HAVING OFFICE AT 7, AKSHAY COMPLEX, OFF. DHOLE PATIL ROAD, PUNE-411001, MAHARASHTRA, INDIA, AN INDIAN COMPANY		
DATE OF REGISTRATION	21/10/2013	
TITLE	CEILING FIXTURE FOR LAMPS	
PRIORITY NA		




DESIGN NUMBER	256437	
CLASS	08-08	
1)HUBBELL INCORPORATED, 40 WATERVIEW DRIVE, P.O. BOX 1000, SHELTON, CONNECTICUT 06484-1000 UNITED STATES, A CORPORATION OF THE STATE OF CONNECTICUT, USA		
DATE OF REGISTRATION	13/09/2013	
TITLE	CLIP-ON BONDING WASHER	
PRIORITY		
PRIORITY NUMBER	DATE	COUNTRY
29/450,142	15/03/2013	U.S.A.




DESIGN NUMBER	256784	
CLASS	14-01	
1)SAMSUNG ELECTRONICS CO., LTD., A KOREAN COMPANY, OF 129, SAMSUNG-RO, YEONGTONG-GU, SUWON-SI, GYEONGGI-DO, 443-742M REPUBLIC OF KOREA		
DATE OF REGISTRATION	25/09/2013	
TITLE	SPEAKER FOR TELEVISION APPARATUS	
PRIORITY		
PRIORITY NUMBER	DATE	COUNTRY
30-2013-0015151	25/03/2013	KOREA(SOUTH)



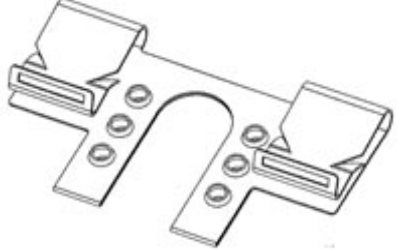

DESIGN NUMBER	257214	
CLASS	25-01	
1)STANDARD BELEX (INDIA) PVT. LTD. (A COMPANY INCORPORATED UNDER THE COMPANIES ACT, 1956) HAVING ITS PRINCIPAL PLACE OF BUSINESS AT ADDRESS PLOT NO. 463, G.I.D.C. ESTATE, POR-RAMANGAMDI-391243, DIST.: VADODARA, GUJARAT-INDIA.		
DATE OF REGISTRATION	04/10/2013	
TITLE	CONCRETE FORM WORK FRAME	
PRIORITY NA		



DESIGN NUMBER	257594	
CLASS	26-05	
1)M/S SHREE SANT KRIPA INTELLECTUAL, HAVING OFFICE AT 7, AKSHAY COMPLEX, OFF. DHOLE PATIL ROAD, PUNE-411001, MAHARASHTRA, INDIA, AN INDIAN COPMPANY		
DATE OF REGISTRATION	21/10/2013	
TITLE	CEILING FIXTURE FOR LAMPS	
PRIORITY NA		



DESIGN NUMBER	256828		
CLASS	02-01		
1) GALAXY CLOTHING CO., (AN INDIAN SOLE PROPRIETORSHIP CONCERN), HAVING OFFICE AT GALA NO. 212, SHREEJEE INDUSTRIAL ESTATE, SUBHASH ROAD, JOGESHWARI (EAST), MUMBAI-400060, MAHARASHTRA, INDIA. WHOSE PROPRIETOR IS NIMESH SHAH. (INDIAN NATIONAL) OF ABOVE ADDRESS			
DATE OF REGISTRATION	26/09/2013		
TITLE	SHIRT		
PRIORITY NA			
DESIGN NUMBER	255474		
CLASS	14-99		
1) BARCO N.V., PRESIDENT KENNEDYPARK 35, B-8500 KORTRIJK, BELGIUM			
DATE OF REGISTRATION	29/07/2013		
TITLE	VIDEO DISPLAY SYSTEM		
PRIORITY			
PRIORITY NUMBER	DATE	COUNTRY	
002266635	02/07/2013	OHIM	
DESIGN NUMBER	259471		
CLASS	12-11		
1) JILLUDIMUDI V L S SUJIT, FLAT NO 2A, KEERTHANA ENCLAVE-III, AKKAYYAPALEM, VISAKHAPATNAM-PIN-530016			
DATE OF REGISTRATION	17/01/2014		
TITLE	BICYCLE		
PRIORITY NA			

DESIGN NUMBER	256440		
CLASS	08-08		
1)HUBBELL INCORPORATED, 40 WATERVIEW DRIVE, P.O. BOX 1000, SHELTON, CONNECTICUT 06484-1000 UNITED STATES, A CORPORATION OF THE STATE OF CONNECTICUT, USA			
DATE OF REGISTRATION	13/09/2013		
TITLE	CLIP-ON BONDING WASHER		
PRIORITY			
PRIORITY NUMBER	DATE	COUNTRY	
29/450,142	15/03/2013	U.S.A.	
DESIGN NUMBER	257217		
CLASS	25-01		
1)STANDARD BELEX (INDIA) PVT. LTD. (A COMPANY INCORPORATED UNDER THE COMPANIES ACT, 1956) HAVING ITS PRINCIPAL PLACE OF BUSINESS AT ADDRESS PLOT NO. 463, G.I.D.C. ESTATE, POR-RAMANGAMDI-391243, DIST.: VADODARA, GUJARAT-INDIA			
DATE OF REGISTRATION	04/10/2013		
TITLE	CONCRETE FORM WORK FRAME		
PRIORITY NA			