

**INTRODUCTION**

In view of the recent amendment made in the Designs (Amendment) Rules, 2008 with effect from 17/06/2008, Publication of the matter relating to Designs is being published in the Official Journal of The Patent Office. This Journal is being published on weekly basis on every Friday covering the various proceedings on Designs as required according to the provisions of under Rule 22, 25, 27 and 39 of the Design (Amendment) Rules, 2008. All the enquiries on this Official Journal and other information as required by the public should be addressed to the Controller General of Patents, Designs & Trade Marks. Suggestions and comments are requested from all quarters so that the content can be enriched.

## COPYRIGHT PUBLICATION

<b>SL NO</b>	<b>CASE NUMBERS</b>	<b>RENEWED ON</b>
1.	184539	20.12.2013
2.	186221	28.11.2013
3.	187346	28.11.2013
4.	189359	20.12.2013
5.	190540	20.12.2013
6.	190551	28.11.2013
7.	190757	20.12.2013
8.	190987	20.12.2013
9.	193292	20.12.2013
10.	193592	20.12.2013
11.	193593	20.12.2013
12.	249670	31.12.2013

**CANCELLATION PROCEEDINGS  
UNDER SECTION 19 OF THE DESIGNS ACT, 2000**

**(01)**

**“The Asstt. Controller of Patents & Designs passed an order on 7/1/2014 to dismiss the petition filed by Welcome Shoes Private Limited of H-24, Udyog Nagar, New Delhi - 110041 on 31/12/2010 for cancellation of the registration of registered Design No.178564 dated 27/1/1999 under Class 10 titled as ‘Footwear’ in the name of Noor Pratap Rana and Ashok Kumar Vohti, trading as KIRAN SHOES MANUFACTURERS, a partnership firm whose partners are Nepalis by nationality of Post Box No.497, Maharajganj, Ring Road, Kathmandu, Nepal.”**

**(02)**

**“The Asstt. Controller of Patents & Designs passed an order on 7/1/2014 to dismiss the petition filed by Oasis Distilleries Limited, an Indian company having registered office at H-102, 1<sup>st</sup> Floor, Plot No. B-2 PU-4, SCH No.54, Near Mangal City Mall, A.B. Road, Indore, Madhya Pradesh 452010 on 27/9/2012 for cancellation of the registration of registered Design No. 237537 dated 24/6/2011 under class 09-01 titled as ‘Bottle’ in the name of United Spirits Limited, UB Tower, 24 Vittal Mallya Road, Bangalore – 560001, India, an Indian company..”**

**THE DESIGNS ACT 2000**  
**SECTION 30**  
**DESIGN ASSIGNMENT**

The Design stands in the name of PARESHKUMAR D. PATEL registered under the Designs Act, 2000 has been assigned in the Register of Designs in the name as follows:-

Design No.	Class	Name
230537, 249083, 249081, 250383	23-04	VARDAYANI POWER PVT. LTD., HAVING THE ADDRESS OF 1222/737/1, B/H. SHILAJ BUS-STOP, OPP. ASHAPURA TEMPLE, VILLAGE-SHILAJ, AHMEDABAD-380 058, GUJARAT, INDIA, AN INDIAN COMPANY

## REGISTRATION OF DESIGNS

The following designs have been registered. They are now open for public inspection. In the following each entry the Date of Registration is shown. The Priority Number, Priority Date and Priority Country are also shown

<b>DESIGN NUMBER</b>	254582		
<b>CLASS</b>	12-16		
1)HONDA MOTOR CO., LTD., A JAPANESE CORPORATION, OF 1-1, MINAMIAOYAMA 2-CHOME, MINATO-KU, TOKYO, JAPAN			
<b>DATE OF REGISTRATION</b>	19/06/2013		
<b>TITLE</b>	REAR BUMPER FOR AUTOMOBILE		
<b>PRIORITY</b>			
PRIORITY NUMBER	DATE	COUNTRY	
2012-032040	28/12/2012	JAPAN	
<b>DESIGN NUMBER</b>	254683		
<b>CLASS</b>	15-01		
1)TRIVENI TURBINE LIMITED, AN INDIAN COMPANY HAVING ITS PLACE OF BUSINESS AT 12A, PEENYA INDUSTRIAL AREA, BANGLORE-560058			
<b>DATE OF REGISTRATION</b>	24/06/2013		
<b>TITLE</b>	SLIDING PEDESTAL OF A STEAM TURBINE		
<b>PRIORITY NA</b>			
<b>DESIGN NUMBER</b>	253613		
<b>CLASS</b>	31-00		
1)D. KUMAR JAIN AN INDIAN PROPRIETOR FIRM AT SUMEET ENGINEERING WORKS, A, PINTO APTS., NEAR STATE BANK OF INDIA, VASCO DA GAMA, GOA: 403 802. (INDIA) OF ABOVE ADDRESS			
<b>DATE OF REGISTRATION</b>	01/05/2013		
<b>TITLE</b>	MIXER JAR		
<b>PRIORITY NA</b>			

<b>DESIGN NUMBER</b>	251380
<b>CLASS</b>	10-06
<b>1)MALIKA INTERNATIONAL, AN INDIA PROPRIETORSHIP FIRM, OF THE ADDRESS A-16 SECTOR-10, NOIDA-201301, UTTAR PRADESH</b>	
<b>DATE OF REGISTRATION</b>	04/02/2013
<b>TITLE</b>	SIGNAL LAMP FOR RAILWAY
<b>PRIORITY NA</b>	


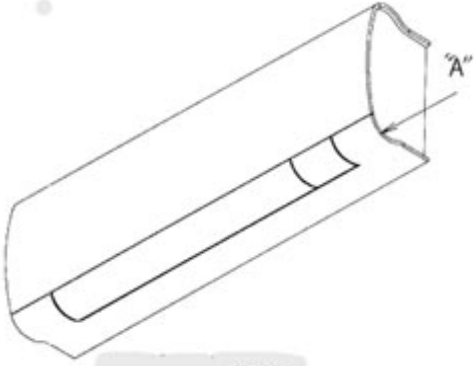
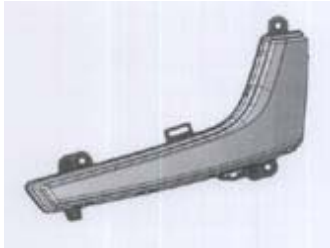


<b>DESIGN NUMBER</b>	253158
<b>CLASS</b>	01-01
<b>1)M/S. LUCKYS BAKERY PVT. LTD., (A COMPANY DULY INCORPORATED UNDER THE INDIAN COMPANIES ACT, 1956), 1, EKTA COMPLEX (NEAR STADIUM), MODEL TOWN, PANIPAT, HARYANA</b>	
<b>DATE OF REGISTRATION</b>	15/04/2013
<b>TITLE</b>	CAKE
<b>PRIORITY NA</b>	



<b>DESIGN NUMBER</b>	253224
<b>CLASS</b>	12-16
<b>1)WHEELS INDIA LIMITED, HAVING PLACE OF BUSINESS AT PADI, CHENNAI-600 050, TAMILNADU, NATIONALITY OF INDIAN</b>	
<b>DATE OF REGISTRATION</b>	18/04/2013
<b>TITLE</b>	WHEEL RIM FOR VEHICLES
<b>PRIORITY NA</b>	






<b>DESIGN NUMBER</b>	253335	
<b>CLASS</b>	19-06	
<b>1)ANCHOR ENTERPRISES PVT. LTD INNOVA 'C' WING, MARATHON NEXTGEN, OFF.G.K.MARG, LOWER PAREL (W), MUMBAI-400013 STATE OF MAHARASHTRA INDIA, / A PRIVATE LIMITED COMPANY INCORPORATED UNDER INDIAN COMPANIES ACT., ABOVE ADDRESS</b>		
<b>DATE OF REGISTRATION</b>	23/04/2013	
<b>TITLE</b>	BALL POINT PEN	
<b>PRIORITY NA</b>		
<b>DESIGN NUMBER</b>	254099	
<b>CLASS</b>	23-04	
<b>1)DAIKIN INDUSTRIES LTD. A JAPANESE COMPANY OF THE ADDRESS: UMEDA CENTER BUILDING, 4-12 NAKAZAKI-NISHI 2-CHOME, KITA-KU, OSAKA-SHI, OSAKA-FU, JAPAN</b>		
<b>DATE OF REGISTRATION</b>	27/05/2013	
<b>TITLE</b>	AIR CONDITIONER	
<b>PRIORITY NA</b>		
<b>DESIGN NUMBER</b>	254272	
<b>CLASS</b>	12-16	
<b>1)RENAULT TRUCKS, A COMPANY ORGANIZED UNDER THE LAWS OF FRANCE, OF 99 ROUTE DE LYON, 69800 SAINT PRIEST, FRANCE</b>		
<b>DATE OF REGISTRATION</b>	06/06/2013	
<b>TITLE</b>	FRAME COMPONENT FOR VEHICLE HEADLIGHT	
<b>PRIORITY NA</b>		


<b>DESIGN NUMBER</b>	253112	
<b>CLASS</b>	28-03	
<b>1)(1)MANOJKUMAR CHANDULAL RANPARA (2)TUSHARBHAI MANOJKUMAR RANPARA (3)DEVANGBHAI MANOJKUMAR RANPARA (ALL THE PARTNERS ARE ADULT &amp; INDIAN NATIONALS) PARTNER OF NEW RANPARA INDUSTRIES (INDIAN PARTNERSHIP FIRM) HAVING PLACE OF BUSINESS</b> AT -PANCHASAR ROAD, B/H. GEETA OIL MILL, MORBI-363641 DISTRICT:RAJKOT-GUJARAT (INDIA)		
<b>DATE OF REGISTRATION</b>	12/04/2013	
<b>TITLE</b>	TONGUE CLEANER	
<b>PRIORITY NA</b>		
<b>DESIGN NUMBER</b>	254870	
<b>CLASS</b>	07-01	
<b>1)PIGEON CORPORATION, A COMPANY INCORPORATED UNDER THE LAWS OF JAPAN HAVING ITS OFFICE AT</b> 4-4, NIHONBASHI-HISAMATSUCHO, CHUO-KU, TOKYO 103-8480, JAPAN		
<b>DATE OF REGISTRATION</b>	28/06/2013	
<b>TITLE</b>	TEAT FOR FEEDING BOTTLE	
<b>PRIORITY NA</b>		
<b>DESIGN NUMBER</b>	254965	
<b>CLASS</b>	06-06	
<b>1)GODREJ &amp; BOYCE MFG. CO. LTD., AN INDIAN COMPANY INCORPORATED UNDER THE COMPANIES ACT, 1913,</b> OF GODREJ INTERIO, PLANT 4, PIROJSHANAGER, VIKHROLI (WEST), MUMBAI-400079, INDIA		
<b>DATE OF REGISTRATION</b>	03/07/2013	
<b>TITLE</b>	LEG OF A FURNITURE	
<b>PRIORITY NA</b>		




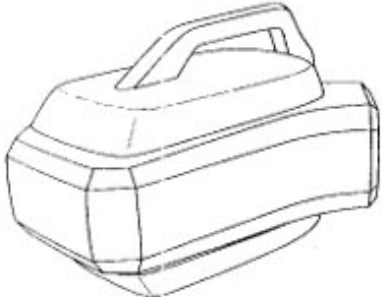
<b>DESIGN NUMBER</b>	253905		
<b>CLASS</b>	08-06		
<b>1)PRAVINBHAI A. SANGANI AN INDIAN NATIONAL SOLE PROPRIETOR OF SUYOG TECHNOCAST AN INDIAN PROPRIETORSHIP FIRM HAVING ITS PRINCIPAL PLACE OF BUSINESS AT</b> NATIONAL HIGHWAY 8-B, RING ROAD, 13, AJI VASAHAAT, NEAR GAMARA PETROL PUMP, RAJKOT-360 003, GUJARAT-INDIA			
<b>DATE OF REGISTRATION</b>	16/05/2013		
<b>TITLE</b>	HANDLE		
<b>PRIORITY NA</b>			
<b>DESIGN NUMBER</b>	254363		
<b>CLASS</b>	12-16		
<b>1)FORD MOTOR COMPANY A COMPANY ORGANIZED AND EXISTING UNDER THE LAWS OF UNITED STATES OF AMERICA, HAVING ITS OFFICE AT DEARBORN, COUNTY OF WAYNE, STATE OF MICHIGAN, UNITED STATES OF AMERICA, AND FORD OTOMOTIV SANAYI ANONIM SIRKETI A COMPANY ORGANIZED AND EXISTING UNDER THE LAWS OF REPUBLIC OF TURKEY, HAVING ITS OFFICE AT</b> AKPINAR MAHALLESİ, HASAN BASRI CADDESİ NO. 2, SANCAKTEPE, İSTANBUL, TURKEY			
<b>DATE OF REGISTRATION</b>	06/06/2013		
<b>TITLE</b>	VEHICLE SIDE SPOILER		
<b>PRIORITY</b>			
<b>PRIORITY NUMBER</b>	<b>DATE</b>	<b>COUNTRY</b>	
29/443,888	23/01/2013	U.S.A.	
<b>DESIGN NUMBER</b>	254461		
<b>CLASS</b>	07-01		
<b>1)EXPORTS INTERNATIONAL CORPORATION,</b> 124 E, SAINIK FARMS, CENTRAL AVENUE, LANE C-8/2, NEW DELHI-110062, INDIA, AN INDIAN COMPANY			
<b>DATE OF REGISTRATION</b>	12/06/2013		
<b>TITLE</b>	SUGAR POT WITH LID		
<b>PRIORITY NA</b>			

<b>DESIGN NUMBER</b>	254583		
<b>CLASS</b>	12-16		
<b>1)HONDA MOTOR CO., LTD., A JAPANESE CORPORATION, OF 1-1, MINAMI-AOYAMA 2-CHOME, MINATO-KU, TOKYO, JAPAN</b>			
<b>DATE OF REGISTRATION</b>	19/06/2013		
<b>TITLE</b>	FRONT GRILL FOR AUTOMOBILE		
<b>PRIORITY</b>			
<b>PRIORITY NUMBER</b>	<b>DATE</b>	<b>COUNTRY</b>	
2012-032042	28/12/2012	JAPAN	
<b>DESIGN NUMBER</b>	252611		
<b>CLASS</b>	10-05		
<b>1)PRESTO STANTEST PRIVATE LIMITED OF I-42A, DLF INDUSTRIAL AREA, PHASE-1, DELHI MATHURA ROAD, FARIDABAD-121003, INDIA, A COMPANY REGISTERED AND EXISTING UNDER THE LAWS OF INDIA</b>			
<b>DATE OF REGISTRATION</b>	22/03/2013		
<b>TITLE</b>	TENSILE TESTER MACHINE-DIGITAL		
<b>PRIORITY NA</b>			
<b>DESIGN NUMBER</b>	253615		
<b>CLASS</b>	31-00		
<b>1)D. KUMAR JAIN AN INDIAN PROPRIETOR FIRM AT SUMEET ENGINEERING WORKS, A, PINTO APTS., NEAR STATE BANK OF INDIA, VASCO DA GAMA, GOA: 403 802. (INDIA) OF ABOVE ADDRESS</b>			
<b>DATE OF REGISTRATION</b>	01/05/2013		
<b>TITLE</b>	MIXER JAR		
<b>PRIORITY NA</b>			

<b>DESIGN NUMBER</b>	253757		
<b>CLASS</b>	10-02		
<b>1)TURLEN HOLDING SA, A SWISS COMPANY, C/O SIPO S.A., CHEMIN DU CHÂTEAU 26A, 2805 SOYHIÈRES, SWITZERLAND</b>			
<b>DATE OF REGISTRATION</b>	08/05/2013		
<b>TITLE</b>	WATCH		
<b>PRIORITY</b>			
<b>PRIORITY NUMBER</b>	<b>DATE</b>	<b>COUNTRY</b>	
705534601	27/11/2012	WIPO	
<b>DESIGN NUMBER</b>	252705		
<b>CLASS</b>	24-04		
<b>1)MÖLNLYCKE HEALTH CARE AB, A SWEDISH COMPANY, OF GAMLESTADSVÄGEN 3C, SE-402 52 GÖTEBORG, SWEDEN</b>			
<b>DATE OF REGISTRATION</b>	28/03/2013		
<b>TITLE</b>	DRESSINGS		
<b>PRIORITY</b>			
<b>PRIORITY NUMBER</b>	<b>DATE</b>	<b>COUNTRY</b>	
001346951-0001	12/10/2012	OHIM	
<b>DESIGN NUMBER</b>	254286		
<b>CLASS</b>	12-16		
<b>1)RENAULT TRUCKS, A COMPANY ORGANIZED UNDER THE LAWS OF FRANCE, OF 99 ROUTE DE LYON, 69800 SAINT PRIEST, FRANCE</b>			
<b>DATE OF REGISTRATION</b>	06/06/2013		
<b>TITLE</b>	MUDGUARD FOR VEHICLE		
<b>PRIORITY NA</b>			

<b>DESIGN NUMBER</b>	254966	
<b>CLASS</b>	06-06	
<b>1)GODREJ &amp; BOYCE MFG. CO. LTD., AN INDIAN COMPANY INCORPORATED UNDER THE COMPANIES ACT, 1913, OF GODREJ INTERIO, PLANT 4, PIROJSHANAGER, VIKHROLI (WEST), MUMBAI-400079, INDIA</b>		
<b>DATE OF REGISTRATION</b>	03/07/2013	
<b>TITLE</b>	LEG OF A FURNITURE	
<b>PRIORITY NA</b>		

<b>DESIGN NUMBER</b>	253906	
<b>CLASS</b>	08-06	
<b>1)MANISH KANJIBHAI CHOVIYA, INDIAN NATIONALITY, A SOLE PROPRIETOR OF M/S. SAFAR INDUSTRIES, HAVING HIS PRINCIPAL PLACE OF BUSINESS AT PLOT NO. 1, PATEL INDUSTRIAL AREA, BEHIND RIDDHI SIDDHI SOCIETY, NEAR OVER BRIDGE, GONDAL CHOKDI, BELOW DANDIA PUL, RAJKOT, GUJARAT STATE, INDIA</b>		
<b>DATE OF REGISTRATION</b>	17/05/2013	
<b>TITLE</b>	HANDLE	
<b>PRIORITY NA</b>		

<b>DESIGN NUMBER</b>	253484		
<b>CLASS</b>	10-05		
<b>1)MITSUBISHI HEAVY INDUSTRIES, LTD., A JAPANESE CORPORATION OF 16-5, KONAN 2-CHOME, MINATO-KU, TOKYO 108-8215, JAPAN</b>			
<b>DATE OF REGISTRATION</b>	29/04/2013		
<b>TITLE</b>	RADIATION DETECTOR		
<b>PRIORITY</b>			
<b>PRIORITY NUMBER</b>	<b>DATE</b>		<b>COUNTRY</b>
2012-027222	07/11/2012		JAPAN

<b>DESIGN NUMBER</b>	254295		
<b>CLASS</b>	12-16		
<b>1)RENAULT TRUCKS, A COMPANY ORGANIZED UNDER THE LAWS OF FRANCE, OF 99 ROUTE DE LYON, 69800 SAINT PRIEST, FRANCE</b>			
<b>DATE OF REGISTRATION</b>	06/06/2013		
<b>TITLE</b>	BUMPER GUARD FOR VEHICLE		
<b>PRIORITY NA</b>			
<b>DESIGN NUMBER</b>	254305		
<b>CLASS</b>	26-06		
<b>1)RENAULT TRUCKS, A COMPANY ORGANIZED UNDER THE LAWS OF FRANCE, OF 99 ROUTE DE LYON, 69800 SAINT PRIEST, FRANCE</b>			
<b>DATE OF REGISTRATION</b>	06/06/2013		
<b>TITLE</b>	HEADLIGHT FOR VEHICLE		
<b>PRIORITY NA</b>			
<b>DESIGN NUMBER</b>	254579		
<b>CLASS</b>	26-06		
<b>1)HONDA MOTOR CO., LTD., A JAPANESE CORPORATION, OF 1-1, MINAMI-AOYAMA 2-CHOME, MINATO-KU, TOKYO, JAPAN</b>			
<b>DATE OF REGISTRATION</b>	19/06/2013		
<b>TITLE</b>	FRONT COMBINATION LAMP FOR AUTOMOBILE		
<b>PRIORITY</b>			
<b>PRIORITY NUMBER</b>	<b>DATE</b>	<b>COUNTRY</b>	
2012-032036	28/12/2012	JAPAN	

<b>DESIGN NUMBER</b>	254645	
<b>CLASS</b>	12-16	
<b>1)SCANIA CV AB, A SWEDISH COMPANY OF, SE-151 87, SÖDERTÄLJE, SWEDEN</b>		
<b>DATE OF REGISTRATION</b>	21/06/2013	
<b>TITLE</b>	UPPER FRONT HATCH FOR VEHICLES	
<b>PRIORITY</b>		
<b>PRIORITY NUMBER</b>	<b>DATE</b>	<b>COUNTRY</b>
201330035676.0	31/01/2013	CHINA



<b>DESIGN NUMBER</b>	254653	
<b>CLASS</b>	12-16	
<b>1)SCANIA CV AB, A SWEDISH COMPANY OF, SE-151 87, SÖDERTÄLJE, SWEDEN</b>		
<b>DATE OF REGISTRATION</b>	21/06/2013	
<b>TITLE</b>	FRONT LOWER CORNER PANEL FOR VEHICLE	
<b>PRIORITY</b>		
<b>PRIORITY NUMBER</b>	<b>DATE</b>	<b>COUNTRY</b>
201330030583.9	31/01/2013	CHINA



<b>DESIGN NUMBER</b>	254690	
<b>CLASS</b>	13-02	
<b>1)LUMINOUS POWER TECHNOLOGIES PVT. LTD., PLOT-300, 2ND FLOOR, UDYOG VIHAR, PHASE-II, GURGAON, HARYANA-122016 (INDIA) AN INDIAN COMPANY</b>		
<b>DATE OF REGISTRATION</b>	24/06/2013	
<b>TITLE</b>	INVERTER	
<b>PRIORITY NA</b>		




<b>DESIGN NUMBER</b>	254806		
<b>CLASS</b>	13-02		
<b>1) LUMINOUS POWER TECHNOLOGIES PVT. LTD.,</b> PLOT-300, 2ND FLOOR, UDYOG VIHAR, PHASE-II, GURGAON, HARYANA-122016 (INDIA) AN INDIAN COMPANY			
<b>DATE OF REGISTRATION</b>	26/06/2013		
<b>TITLE</b>	INVERTER		
<b>PRIORITY NA</b>			
<b>DESIGN NUMBER</b>	252600		
<b>CLASS</b>	26-05		
<b>1) FLOWIL INTERNATIONAL LIGHTING (HOLDING) B.V., A DUTCH COMPANY,</b> PRINS BERHARDPLEIN 200, 1097 JB AMSTERDAM, THE NETHERLANDS			
<b>DATE OF REGISTRATION</b>	22/03/2013		
<b>TITLE</b>	REFLECTOR LAMP		
<b>PRIORITY NA</b>			
<b>DESIGN NUMBER</b>	252620		
<b>CLASS</b>	24-02		
<b>1) SCALPAL LLC, A DELAWARE CORPORATION, C/O MR. ELIYAHU GITMAN,</b> BUILDING 66, APT. 1, RAMAT POLIN, JERUSALEM 97290, ISRAEL			
<b>DATE OF REGISTRATION</b>	22/03/2013		
<b>TITLE</b>	SCALPEL TIP		
<b>PRIORITY</b>			
<b>PRIORITY NUMBER</b>	<b>DATE</b>	<b>COUNTRY</b>	
53214	24/09/2012	ISRAEL	

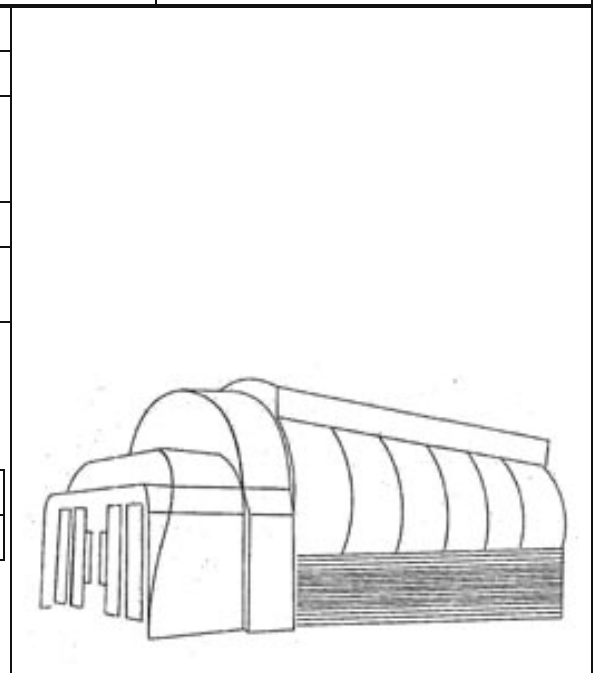
<b>DESIGN NUMBER</b>	253606		
<b>CLASS</b>	02-04		
<b>1)M/S. KESHAV INDIA FOOTWEAR PVT. LTD. (A COMPANY INCORPORATED UNDER THE INDIAN COMPANIES ACT, 1956), 307/4, SHAHZADA BAGH, DAYA BASTI, DELHI-110035</b>			
<b>DATE OF REGISTRATION</b>	01/05/2013		
<b>TITLE</b>	SANDAL		
<b>PRIORITY NA</b>			
<b>DESIGN NUMBER</b>	249367		
<b>CLASS</b>	23-01		
<b>1)BEIJING KOHLER LTD., A CORPORATION ORGANIZED AND EXISTING UNDER THE LAWS OF CHINA, OF NO. 27 WEST GUO YUAN ROAD, BEIJING, MIYUN COUNTY 101500, CHINA P.R.</b>			
<b>DATE OF REGISTRATION</b>	09/11/2012		
<b>TITLE</b>	FAUCET AND SHOWER HEAD UNIT		
<b>PRIORITY</b>			
<b>PRIORITY NUMBER</b>	<b>DATE</b>	<b>COUNTRY</b>	
201230180849.3	11/05/2012	CHINA	
<b>DESIGN NUMBER</b>	253174		
<b>CLASS</b>	09-01		
<b>1)CLOUD NINE MARKETING PVT. LTD. OF SHAH SATNAM JI MARG, NEAR NEW DERA SACHA SAUDA, SIRSA-125055 (HARYANA), INDIA, AN INDIAN PVT. LTD. COMPANY WHOSE DIRECTOR IS SH. SANJEEV CHANANA, INDIAN OF ABOVE ADDRESS</b>			
<b>DATE OF REGISTRATION</b>	16/04/2013		
<b>TITLE</b>	CONTAINER		
<b>PRIORITY NA</b>			



<b>DESIGN NUMBER</b>	253305		
<b>CLASS</b>	07-02		
1)MR. GHISULAL RATHOD, MR. PRADEEP RATHOD, MR. PANKAJ RATHOD, MR. PANNALAL SHARMA, MR. JAYANTILAL JAIN, MR. GAURAV RATHOD, MRS. SANGEETA RATHOD, MRS. BABITA RATHOD AND MRS. PAMPUBEN RATHOD, ALL INDIAN NATIONALS TRADING UNDER THE NAME AND STYLE OF M/S. CELLO INDUSTRIES, A PARTNERSHIP FIRM REGISTERED UNDER THE PROVISION OF INDIAN PARTNERSHIP ACT, 1932, HAVING OFFICE ADDRESS AT CORPORATE AVENUE, 'B' WING, CELLO HOUSE, SONAWALA ROAD, GOREGAON (EAST), MUMBAI 0400063, MAHARASHTRA			
<b>DATE OF REGISTRATION</b>	23/04/2013		
<b>TITLE</b>	CASSEROLE		
<b>PRIORITY NA</b>			
<b>DESIGN NUMBER</b>	253347		
<b>CLASS</b>	02-07		
1)MR. RISHI MAHAJAN AN INDIAN NATIONAL, TRADING AS M/S. SMASH SHOE (INDIA), G-9, DSIDC INDUSTRIAL COMPLEX, ROHTAK ROAD, NANGLOI, DELHI-110041			
<b>DATE OF REGISTRATION</b>	23/04/2013		
<b>TITLE</b>	SOLE FOR FOOTWEAR		
<b>PRIORITY NA</b>			
<b>DESIGN NUMBER</b>	254140		
<b>CLASS</b>	12-16		
1)NISSAN JIDOSHA KABUSHIKI KAISHA (ALSO TRADING AS NISSAN MOTOR CO., LTD.), A JAPANESE COMPANY, ORGANIZED AND EXISTING UNDER THE LAWS OF JAPAN, OF NO. 2 TAKARACHO, KANAGAWA-KU, YOKOHAMA-SHI, KANAGAWA-KEN, JAPAN			
<b>DATE OF REGISTRATION</b>	29/05/2013		
<b>TITLE</b>	FRONT BUMPER FOR AUTOMOBILE		
<b>PRIORITY</b>			
<b>PRIORITY NUMBER</b>	<b>DATE</b>	<b>COUNTRY</b>	
2012-029240	29/11/2012	JAPAN	

<b>DESIGN NUMBER</b>	254246	
<b>CLASS</b>	09-09	
<b>1)NAVEEN CHAUHAN (DIRECTOR) IS INDIAN, TRADING AS KC GREEN REVOLUTION PVT. LTD. (THIS COMPANY IS SOLE PROPRIETORSHIP FIRM) WHOSE ADDRESS IS</b> A-170, GROUND FLOOR, MAIN M. G. ROAD, AMBEDKAR COLONY, CHATTARPUR, NEW DELHI-110074		
<b>DATE OF REGISTRATION</b>	03/06/2013	
<b>TITLE</b>	DUST BIN	
<b>PRIORITY NA</b>		


<b>DESIGN NUMBER</b>	250863	
<b>CLASS</b>	15-09	
<b>1)OERLIKON TRADING AG</b> TRÜBBACH A COMPANY ESTABLISHED UNDER SWISS LAW OF HAUPTSTR., 53 CH- 9477 TRÜBBACH SG, SWITZERLAND		
<b>DATE OF REGISTRATION</b>	08/01/2013	
<b>TITLE</b>	APPARATUS FOR NITRIDING SUBSTRATE	
<b>PRIORITY</b>		
<b>PRIORITY NUMBER</b>	<b>DATE</b>	<b>COUNTRY</b>
002071357-0001	10/07/2012	EUROPEAN UNION

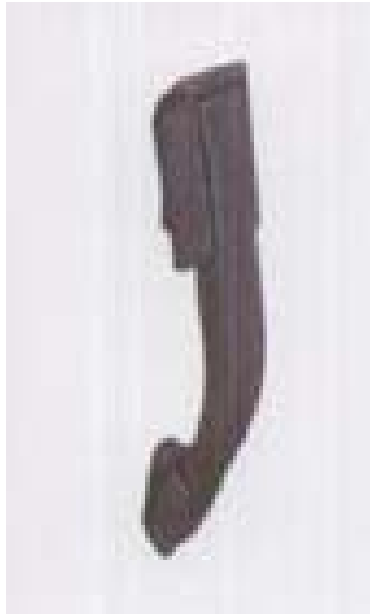


<b>DESIGN NUMBER</b>	253101	
<b>CLASS</b>	13-03	
<b>1)M/S GOLDMEDAL ELECTRICALS PRIVATE LIMITED (A COMPANY INCORPORATED UNDER INDIAN COMPANIES ACT),</b> A-302, KEMP PLAZA, MIND SPACE, CHINCHOLI BUNDER, OFF LINK ROAD, MALAD WEST, MUMBAI-400063, (INDIA)		
<b>DATE OF REGISTRATION</b>	11/04/2013	
<b>TITLE</b>	SWITCH PLATE	
<b>PRIORITY NA</b>		



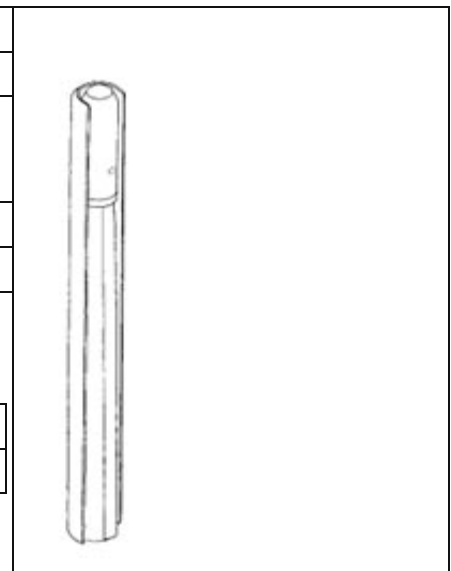
<b>DESIGN NUMBER</b>	254641	
<b>CLASS</b>	08-06	
<b>1)(1)MAHESHBHAI SASHIKANTBHAI PIPALIYA (2) MANOJBHAI JERAMBHAI LILA (BOTH THE PARTNERS ARE ADULT &amp; INDIAN NATIONAL) PARTNERS OF KRISHA METAL (INDIAN PARTNERSHIP FIRM) HAVING PLACE OF BUSINESS AT- 6, PARSANA SOCIETY, 50, FEET ROAD, "RAM RAJKOT-360 002-GUJARAT-(INDIA)</b>		
<b>DATE OF REGISTRATION</b>	21/06/2013	
<b>TITLE</b>	HANDLE	
<b>PRIORITY NA</b>		
<b>DESIGN NUMBER</b>	254747	
<b>CLASS</b>	07-01	
<b>1)MA DESIGN INDIA PRIVATE LIMITED, A COMPANY INCORPORATED IN INDIA HAVING ITS PRINCIPAL PLACE OF BUSINESS AT A-41, SECTOR-80, PHASE-II, NOIDA-201305, U.P. INDIA</b>		
<b>DATE OF REGISTRATION</b>	25/06/2013	
<b>TITLE</b>	PLATE (FOR SERVING SNACKS)	
<b>PRIORITY NA</b>		
<b>DESIGN NUMBER</b>	254304	
<b>CLASS</b>	12-16	
<b>1)RENAULT TRUCKS, A COMPANY ORGANIZED UNDER THE LAWS OF FRANCE, OF 99 ROUTE DE LYON, 69800 SAINT PRIEST, FRANCE</b>		
<b>DATE OF REGISTRATION</b>	06/06/2013	
<b>TITLE</b>	AIR-INTAKE GRILLE FOR VEHICLE	
<b>PRIORITY NA</b>		

DESIGN NUMBER	254353	
CLASS	12-16	
1)RENAULT TRUCKS, A COMPANY ORGANIZED UNDER THE LAWS OF FRANCE, OF 99 ROUTE DE LYON, 69800 SAINT PRIEST, FRANCE		
DATE OF REGISTRATION	06/06/2013	
TITLE	TRUCK	
PRIORITY NA		

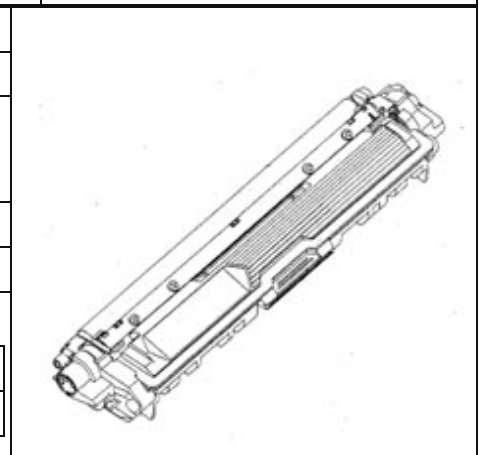
DESIGN NUMBER	254466	
CLASS	08-06	
1)KAPILBHAI BALVANTRAI VYAS AND JIGNESHBHAI CHHAGANBHAI GOHEL BOTH INDIAN NATIONAL PARTNER OF RATNAPRABHA HARDWARE AN INDIAN PARTNERSHIP FIRM HAVING ITS PRINCIPAL PLACE OF BUSINESS AT ADDRESS:- 6, PARSANA SOCIETY, 50 FEET ROAD, KOTHARIYA MAIN ROAD, RAJKOT-2. GUJARAT-INDIA		
DATE OF REGISTRATION	12/06/2013	
TITLE	HANDLE	
PRIORITY NA		

DESIGN NUMBER	254486	
CLASS	26-06	
1)QOROS AUTOMOTIVE CO., LTD., OF ROOM 501, BINJIANG INTERNATIONAL BUILDING, NO. 88 TONGGANG ROAD, CHANGSHU CITY ECONOMIC DEVELOPMENT AREA, JIANGSU PROVINCE 215513, CHINA; NATIONALITY: CHINESE		
DATE OF REGISTRATION	13/06/2013	
TITLE	LIGHT FOR VEHICLES	
<b>PRIORITY</b>		
PRIORITY NUMBER	DATE	COUNTRY
201330003357.1	07/01/2013	CHINA

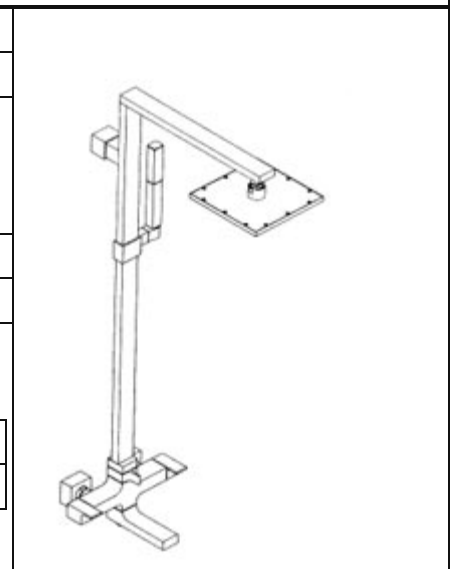
<b>DESIGN NUMBER</b>	253805	
<b>CLASS</b>	19-06	
<b>1)EUROPE BRANDS S.Á.R.L. A PRIVATE COMPANY INCORPORATED IN LUXEMBOURG OF</b> 412F, ROUTE D'ESCH, L-2086, LUXEMBOURG		
<b>DATE OF REGISTRATION</b>	10/05/2013	
<b>TITLE</b>	PEN	
<b>PRIORITY</b>		
<b>PRIORITY NUMBER</b>	<b>DATE</b>	<b>COUNTRY</b>
001350680	12/11/2012	OHIM





<b>DESIGN NUMBER</b>	252693	
<b>CLASS</b>	14-02	
<b>1)BROTHER INDUSTRIES LTD., A CORPORATION ORGANIZED AND EXISTING UNDER THE LAWS OF JAPAN,</b> 15-1, NAESHIRO-CHO, MIZUHO-KU, NAGOYA-SHI, AICHI-KEN, JAPAN		
<b>DATE OF REGISTRATION</b>	28/03/2013	
<b>TITLE</b>	TONER CARTRIDGE	
<b>PRIORITY</b>		
<b>PRIORITY NUMBER</b>	<b>DATE</b>	<b>COUNTRY</b>
2012-025028	16/10/2012	JAPAN



<b>DESIGN NUMBER</b>	249366	
<b>CLASS</b>	23-01	
<b>1)BEIJING KOHLER LTD., A CORPORATION ORGANIZED AND EXISTING UNDER THE LAWS OF CHINA,</b> OF NO. 27 WEST GUO YUAN ROAD, BEIJING, MIYUN COUNTY 101500, CHINA P.R.		
<b>DATE OF REGISTRATION</b>	09/11/2012	
<b>TITLE</b>	FAUCET AND SHOWER HEAD UNIT	
<b>PRIORITY</b>		
<b>PRIORITY NUMBER</b>	<b>DATE</b>	<b>COUNTRY</b>
201230180849.3	11/05/2012	CHINA



<b>DESIGN NUMBER</b>	253203	
<b>CLASS</b>	09-03	
<b>1)KIRAT PLASTICS PVT. LTD., AN INDIAN COMPANY OF H-11/2, MALVIYA NAGAR, NEW DELHI-110017, INDIA</b>		
<b>DATE OF REGISTRATION</b>	17/04/2013	
<b>TITLE</b>	BIN FOR STORAGE & TRANSPORT	
<b>PRIORITY NA</b>		

<b>DESIGN NUMBER</b>	253241	
<b>CLASS</b>	13-03	
<b>1)1) MR. LALIT T. GWALANI AND 2) MRS. SUNITA R. GWALANI, PARTNERS-INDIAN NATIONAL, TRADING AS DOSSAN ENGINEERING COMPANY, A REGISTERED PARTNERSHIP FIRM IN INDIA, HAVING ITS REGISTERED OFFICE AT 205, BAJSON INDUSTRIAL ESTATE, 40, CHAKALA ROAD, ANDHERI (EAST), MUMBAI 400099, STATE OF MAHARASHTRA, INDIA, OF ABOVE ADDRESS</b>		
<b>DATE OF REGISTRATION</b>	18/04/2013	
<b>TITLE</b>	SOCKET	
<b>PRIORITY NA</b>		

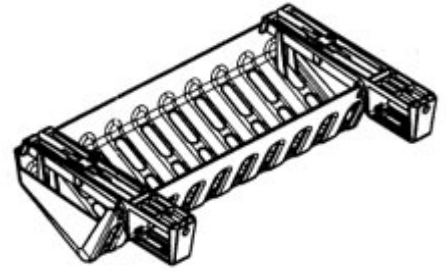
<b>DESIGN NUMBER</b>	253100	
<b>CLASS</b>	13-03	
<b>1)M/S GOLDMEDAL ELECTRICALS PRIVATE LIMITED (A COMPANY INCORPORATED UNDER INDIAN COMPANIES ACT), A-302, KEMP PLAZA, MIND SPACE, CHINCHOLI BUNDER, OFF LINK ROAD, MALAD WEST, MUMBAI-400063, (INDIA)</b>		
<b>DATE OF REGISTRATION</b>	11/04/2013	
<b>TITLE</b>	SWITCH PLATE	
<b>PRIORITY NA</b>		

<b>DESIGN NUMBER</b>	254838	
<b>CLASS</b>	12-11	
<b>1)BAJAJ AUTO LIMITED, AN INDIAN COMPANY, INCORPORATED UNDER THE COMPANIES ACT OF 1956, HAVING ITS PRINCIPAL PLACE OF BUSINESS AT NEW 2ND &amp; 3RD FLOOR, KHIVRAJ BUILDING, NO. 616, ANNASALAI, CHENNAI - 600006, STATE OF TAMIL NADU, INDIA, AND REGISTERED OFFICE AT AKURDI, PUNE-411035, STATE OF MAHARASHTRA, INDIA</b>		
<b>DATE OF REGISTRATION</b>	27/06/2013	
<b>TITLE</b>	HANDLE HOLDER FOR MOTORCYCLE	
<b>PRIORITY NA</b>		
<b>DESIGN NUMBER</b>	254891	
<b>CLASS</b>	12-16	
<b>1)TATA MOTORS LIMITED, AN INDIAN COMPANY OF BOMBAY HOUSE, 24 HOMI MODY STREET, HUTATMA CHOWK, MUMBAI 400001, INDIA</b>		
<b>DATE OF REGISTRATION</b>	01/07/2013	
<b>TITLE</b>	FRONT VALANCE OF A CAR	
<b>PRIORITY NA</b>		
<b>DESIGN NUMBER</b>	253927	
<b>CLASS</b>	08-08	
<b>1)(1) MEHULBHAI D. CHAVDA (2) SOMESHBHAI S. MALIK AND (3) DHIRENBHAI SHAH ALL INDIAN NATIONAL PARTNER OF DMS ARCHITECTURAL PRODUCTS AN INDIAN PARTNERSHIP FIRM HAVING ITS PRINCIPAL PLACE OF BUSINESS AT ADDRESS: PLOT NO. 6, SURVEY NO. 20, EVEREST INDUSTRIAL AREA, NEAR PERFECT (TATA) SHOWROOM, NATIONAL HIGHWAY NO. 8-B, VAVDI-DIST. RAJKOT-360004, GUJARAT-INDIA</b>		
<b>DATE OF REGISTRATION</b>	17/05/2013	
<b>TITLE</b>	CURTAIN BRACKET	
<b>PRIORITY NA</b>		

<b>DESIGN NUMBER</b>	254055		
<b>CLASS</b>	23-03		
<b>1)BAJAJ ELECTRICALS LIMITED, A COMPANY REGISTERED IN INDIA, HAVING ITS REGISTERED OFFICE AT, 45/47, VEER NARIMAN ROAD, MUMBAI 400023, STATE OF MAHARASHTRA, INDIA, OF ABOVE ADDRESS</b>			
<b>DATE OF REGISTRATION</b>	23/05/2013		
<b>TITLE</b>	WATER HEATER		
<b>PRIORITY NA</b>			
<b>DESIGN NUMBER</b>	254584		
<b>CLASS</b>	12-16		
<b>1)HONDA MOTOR CO., LTD., A JAPANESE CORPORATION, OF 1-1, MINAMIAOYAMA 2-CHOME, MINATO-KU, TOKYO, JAPAN</b>			
<b>DATE OF REGISTRATION</b>	19/06/2013		
<b>TITLE</b>	INSTRUMENT PANEL FOR AUTOMOBILE		
<b>PRIORITY</b>			
<b>PRIORITY NUMBER</b>	<b>DATE</b>	<b>COUNTRY</b>	
2012-032045	28/12/2012	JAPAN	
<b>DESIGN NUMBER</b>	254650		
<b>CLASS</b>	12-16		
<b>1)SCANIA CV AB, A SWEDISH COMPANY OF, SE-151 87, SÖDERTÄLJE, SWEDEN</b>			
<b>DATE OF REGISTRATION</b>	21/06/2013		
<b>TITLE</b>	LAMP PANEL FOR VEHICLE		
<b>PRIORITY</b>			
<b>PRIORITY NUMBER</b>	<b>DATE</b>	<b>COUNTRY</b>	
201330035660.X	31/01/2013	CHINA	



<b>DESIGN NUMBER</b>	253428	
<b>CLASS</b>	13-03	
<b>1)STEELCASE WERNDL AG,</b> GEORG-AICHER-STRASSE 7, 83026 ROSENHEIM, GERMANY, NATIONALITY: GERMANY		
<b>DATE OF REGISTRATION</b>	25/04/2013	
<b>TITLE</b>	CABLE BASKET	
<b>PRIORITY</b>		
<b>PRIORITY NUMBER</b>	<b>DATE</b>	<b>COUNTRY</b>
001351142-0001	31/10/2012	OHIM



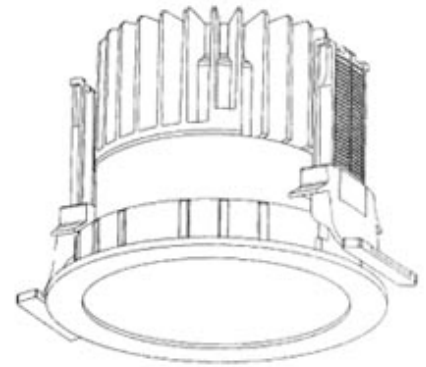
<b>DESIGN NUMBER</b>	254402	
<b>CLASS</b>	23-01	
<b>1)LG ELECTRONICS INC.,</b> OF 20 YEOUIDO-DONG, YEONGDEUNGPO-GU, SEOUL 150- 721, REPUBLIC OF KOREA		
<b>DATE OF REGISTRATION</b>	10/06/2013	
<b>TITLE</b>	WATER PURIFIER	
<b>PRIORITY</b>		
<b>PRIORITY NUMBER</b>	<b>DATE</b>	<b>COUNTRY</b>
30-2012-0060473	14/12/2012	REPUBLIC OF KOREA



<b>DESIGN NUMBER</b>	254462	
<b>CLASS</b>	07-01	
<b>1)EXPORTS INTERNATIONAL CORPORATION,</b> 124 E, SAINIK FARMS, CENTRAL AVENUE, LANE C-8/2, NEW DELHI-110062, INDIA, AN INDIAN COMPANY		
<b>DATE OF REGISTRATION</b>	12/06/2013	
<b>TITLE</b>	BOWL	
<b>PRIORITY NA</b>		



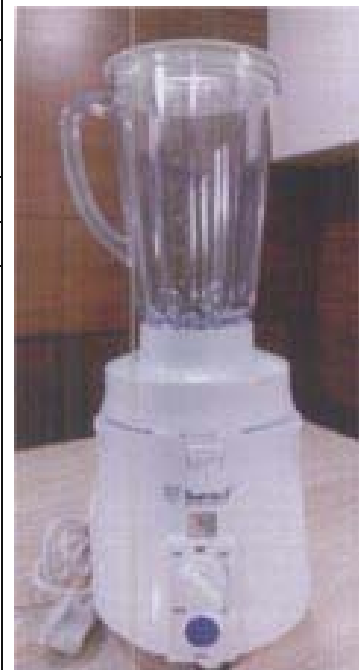
<b>DESIGN NUMBER</b>	254532	
<b>CLASS</b>	26-05	
<b>1)ZUMTOBEL LIGHTING GMBH OF</b> GREVENMARSCHSTRASSE 74-78, 32657 LEMGO GERMANY; NATIONALITY: GERMAN		
<b>DATE OF REGISTRATION</b>	17/06/2013	
<b>TITLE</b>	RECESSED LUMINAIRE	
<b>PRIORITY</b>		
<b>PRIORITY NUMBER</b>	<b>DATE</b>	<b>COUNTRY</b>
001 355 283	20/12/2012	OHIM








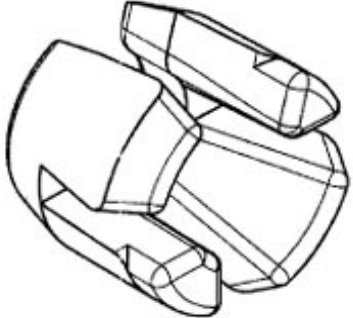
<b>DESIGN NUMBER</b>	247625	
<b>CLASS</b>	09-01	
<b>1)PRIME HOUSEWARES LIMITED, A COMPANY INCORPORATED UNDER</b> <b>THE INDIAN COMPANIES ACT, AT</b> 2ND FLOOR, JIVAJI BHAVAN, 31, OLD POST OFFICE LANE, KALBADEVI, MUMBAI-400002		
<b>DATE OF REGISTRATION</b>	04/09/2012	
<b>TITLE</b>	BOTTLE	
<b>PRIORITY NA</b>		



<b>DESIGN NUMBER</b>	253616	
<b>CLASS</b>	31-00	
<b>1)D. KUMAR JAIN AN INDIAN PROPRIETOR FIRM AT SUMEET</b> <b>ENGINEERING WORKS,</b> A, PINTO APTS., NEAR STATE BANK OF INDIA, VASCO DA GAMA, GOA: 403 802. (INDIA) OF ABOVE ADDRESS		
<b>DATE OF REGISTRATION</b>	01/05/2013	
<b>TITLE</b>	JUICER CUM MIXER GRINDER	
<b>PRIORITY NA</b>		



<b>DESIGN NUMBER</b>	253802	
<b>CLASS</b>	15-09	
<b>1)ENDICO POWER TOOLS (INDIA), AN INDIAN COMPANY, OF 1276/1, ST NO. 3, SHIMLAPURI, LUDHIANA-141003, PUNJAB, INDIA</b>		
<b>DATE OF REGISTRATION</b>	10/05/2013	
<b>TITLE</b>	BASE PLATE FOR WOOD CUTTER MACHINE	
<b>PRIORITY NA</b>		
<b>DESIGN NUMBER</b>	251327	
<b>CLASS</b>	13-02	
<b>1)BALDEV SINGH S/O JOGINDER SINGH (INDIANS) PROPRIETOR OF HERO BATTERY INDUSTRIES (AN INDIAN &amp; SOLE PROPRIETORSHIP CONCERN) AND WHOSE ADDRESS IS SANT AVENUE, FREEDOM NAGAR,, G. T. ROAD, AMRITSAR (PUNJAB) (INDIA)</b>		
<b>DATE OF REGISTRATION</b>	30/01/2013	
<b>TITLE</b>	BATTERY FOR INVERTORS	
<b>PRIORITY NA</b>		
<b>DESIGN NUMBER</b>	253170	
<b>CLASS</b>	26-05	
<b>1)PHOTOQUIP INDIA LTD., A-33, ROYAL INDUSTRIAL ESTATE, NAIGAON CROSS ROAD, WADALA, MUMBAI-400031, STATE OF MAHARASHTRA, INDIA, / A LIMITED COMPANY INCORPORATED UNDER INDIAN COMPANIES ACT., ABOVE ADDRESS</b>		
<b>DATE OF REGISTRATION</b>	16/04/2013	
<b>TITLE</b>	FLAT LIGHT	
<b>PRIORITY NA</b>		

<b>DESIGN NUMBER</b>	253232			
<b>CLASS</b>	02-03			
<b>1)TATA MOTORS LIMITED, AN INDIAN COMPANY OF BOMBAY HOUSE, 24 HOMI MODY STREET, HUTATMA CHOWK, MUMBAI 400001, INDIA</b>				
<b>DATE OF REGISTRATION</b>	18/04/2013			
<b>TITLE</b>	SAFETY HELMET			
<b>PRIORITY NA</b>				
<b>DESIGN NUMBER</b>	254274			
<b>CLASS</b>	12-16			
<b>1)RENAULT TRUCKS, A COMPANY ORGANIZED UNDER THE LAWS OF FRANCE, OF 99 ROUTE DE LYON, 69800 SAINT PRIEST, FRANCE</b>				
<b>DATE OF REGISTRATION</b>	06/06/2013			
<b>TITLE</b>	RADIATOR GRILLE AND BUMPER FOR VEHICLE			
<b>PRIORITY NA</b>				
<b>DESIGN NUMBER</b>	253095			
<b>CLASS</b>	15-06			
<b>1)MASCHINENFABRIK RIETER AG, A SWISS COMPANY OF KLOSTERSTRASSE 20, CH-8406 WINTERTHUR, SWITZERLAND</b>				
<b>DATE OF REGISTRATION</b>	11/04/2013			
<b>TITLE</b>	CLAMP FOR TEXTILE SPINNING MACHINE			
<b>PRIORITY</b>				
<b>PRIORITY NUMBER</b>	<b>DATE</b>	<b>COUNTRY</b>		
201230520434.6	17/10/2012	CHINA		

<b>DESIGN NUMBER</b>	254874	
<b>CLASS</b>	08-06	
<b>1)RAJESHBHAI TULSHIBHAI KIYADA AN INDIAN NATIONAL SOLE PROPRIETOR OF NATRAJ TECHNOCAST AN INDIAN PROPRIETORSHIP FIRM HAVING ITS PRINCIPAL PLACE OF BUSINESS AT</b> NEAR POLYTECHNIC HOSTEL, B/H K. S. DIESEL, 12-AJI VASAHAHAT, RAJKOT-360003, GUJARAT-INDIA		
<b>DATE OF REGISTRATION</b>	28/06/2013	
<b>TITLE</b>	HANDLE	
<b>PRIORITY NA</b>		
<b>DESIGN NUMBER</b>	254889	
<b>CLASS</b>	12-16	
<b>1)TATA MOTORS LIMITED, AN INDIAN COMPANY OF</b> BOMBAY HOUSE, 24 HOMI MODY STREET, HUTATMA CHOWK, MUMBAI 400001, INDIA		
<b>DATE OF REGISTRATION</b>	01/07/2013	
<b>TITLE</b>	REAR VALANCE OF A CAR	
<b>PRIORITY NA</b>		
<b>DESIGN NUMBER</b>	254967	
<b>CLASS</b>	06-06	
<b>1)GODREJ &amp; BOYCE MFG. CO. LTD., AN INDIAN COMPANY INCORPORATED UNDER THE COMPANIES ACT, 1913,</b> OF GODREJ INTERIO, PLANT 4, PIROJSHANAGER, VIKHROLI (WEST), MUMBAI-400079, INDIA		
<b>DATE OF REGISTRATION</b>	03/07/2013	
<b>TITLE</b>	LEG OF A FURNITURE	
<b>PRIORITY NA</b>		

<b>DESIGN NUMBER</b>	253843	
<b>CLASS</b>	09-09	
1)BRABANTIA NEDERLAND B.V., A LIMITED LIABILITY COMPANY UNDER DUTCH LAW, DE HAAK 14, 5555 XK VALKENSWAARD, THE NETHERLANDS		
<b>DATE OF REGISTRATION</b>	15/05/2013	
<b>TITLE</b>	BIN	
<b>PRIORITY</b>		
<b>PRIORITY NUMBER</b>	<b>DATE</b>	<b>COUNTRY</b>
002222026-0001	17/04/2013	OHIM






<b>DESIGN NUMBER</b>	253984	
<b>CLASS</b>	12-11	
1)BAJAJ AUTO LIMITED, AN INDIAN COMPANY, INCORPORATED UNDER THE COMPANIES ACT OF 1956, HAVING ITS PRINCIPAL PLACE OF BUSINESS AT NEW 2ND & 3RD FLOOR, KHIVRAJ BUILDING, NO. 616, ANNASALAI, CHENNAI - 600006, STATE OF TAMIL NADU, INDIA, AND REGISTERED OFFICE AT AKURDI, PUNE-411035, STATE OF MAHARASHTRA, INDIA		
<b>DATE OF REGISTRATION</b>	20/05/2013	
<b>TITLE</b>	MOTORCYCLE	
<b>PRIORITY NA</b>		



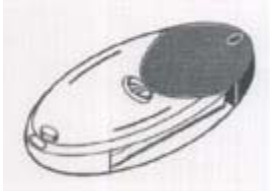


<b>DESIGN NUMBER</b>	254018	
<b>CLASS</b>	02-02	
1)NIKKI ASHWINBHAI DAVE, NATURAL PERSON, NATIONALITY INDIAN, 16, ALANKAR SOCIETY, BEHIND CIRCUIT HOUSE, SHAHIBAUG, AHMEDABAD-380004, GUJARAT, INDIA		
<b>DATE OF REGISTRATION</b>	22/05/2013	
<b>TITLE</b>	GARMENT	
<b>PRIORITY NA</b>		






<b>DESIGN NUMBER</b>	249714		
<b>CLASS</b>	24-02		
<b>1)ETHICON ENDO-SURGERY, INC., A CORPORATION OF THE STATE OF OHIO, OF 4545 CREEK ROAD, CINCINNATI, OH 45242, USA</b>			
<b>DATE OF REGISTRATION</b>	27/11/2012		
<b>TITLE</b>	SURGICAL DEVICE		
<b>PRIORITY</b>			
<b>PRIORITY NUMBER</b>	<b>DATE</b>	<b>COUNTRY</b>	
29/423,500	01/06/2012	U.S.A.	
<b>DESIGN NUMBER</b>	254581		
<b>CLASS</b>	12-16		
<b>1)HONDA MOTOR CO., LTD., A JAPANESE CORPORATION, OF 1-1, MINAMI-AOYAMA 2-CHOME, MINATO-KU, TOKYO, JAPAN</b>			
<b>DATE OF REGISTRATION</b>	19/06/2013		
<b>TITLE</b>	FRONT BUMPER FOR AUTOMOBILE		
<b>PRIORITY</b>			
<b>PRIORITY NUMBER</b>	<b>DATE</b>	<b>COUNTRY</b>	
2012-032039	28/12/2012	JAPAN	
<b>DESIGN NUMBER</b>	254738		
<b>CLASS</b>	07-03		
<b>1)MA DESIGN INDIA PRIVATE LIMITED, A COMPANY INCORPORATED IN INDIA HAVING ITS PRINCIPAL PLACE OF BUSINESS AT A-41, SECTOR-80, PHASE-II, NOIDA-201305, U.P. INDIA</b>			
<b>DATE OF REGISTRATION</b>	25/06/2013		
<b>TITLE</b>	CHEESE KNIFE		
<b>PRIORITY NA</b>			

<b>DESIGN NUMBER</b>	254452	
<b>CLASS</b>	23-01	
<b>1)RAJHANS CHEMICALS &amp; PLASTIC INDUSTRIES, B-70/76, DSIDC INDUSTRIAL AREA, LAWRENCE ROAD, DELHI-110035, INDIA.</b> (AN INDIAN PARTNERSHIP FIRM WHOSE PARTNERS ARE :- SH. SANJEEV JAIN AND SMT. SHAKUNTLA DEVI JAIN AN INDIAN NATIONAL OF THE ABOVE ADDRESS		
<b>DATE OF REGISTRATION</b>	12/06/2013	
<b>TITLE</b>	ADAPTOR FOR HOSE PIPE	
<b>PRIORITY NA</b>		
<b>DESIGN NUMBER</b>	252609	
<b>CLASS</b>	10-05	
<b>1)PRESTO STANTEST PRIVATE LIMITED OF I-42A, DLF INDUSTRIAL AREA, PHASE-1, DELHI MATHURA ROAD, FARIDABAD-121003, HARYANA, INDIA,</b> A COMPANY DULY ORGANIZED AND EXISTING UNDER THE LAWS OF INDIA		
<b>DATE OF REGISTRATION</b>	22/03/2013	
<b>TITLE</b>	POLARISCOPE TESTER	
<b>PRIORITY NA</b>		
<b>DESIGN NUMBER</b>	246666	
<b>CLASS</b>	12-16	
<b>1)MITSUBA CORPORATION, A JAPANESE CORPORATION, WHOSE ADDRESS IS</b> 2681, HIROSAWACHO 1-CHOME, KIRYU-SHI, GUNMA 376-85555, JAPAN		
<b>DATE OF REGISTRATION</b>	23/07/2012	
<b>TITLE</b>	WINDSHIELD WIPER FOR VEHICLE	
<b>PRIORITY NA</b>		



<b>DESIGN NUMBER</b>	247827	
<b>CLASS</b>	03-01	
<b>1)MAHINDRA 2 WHEELERS LIMITED, A COMPANY INCORPORATED UNDER THE INDIAN COMPANIES ACT, AT D1 BLOCK, PLOT NO. 18/2 (PART), MIDC, CHINCHWAD, PUNE-411019, MAHARASHTRA, INDIA</b>		
<b>DATE OF REGISTRATION</b>	11/09/2012	
<b>TITLE</b>	KEY HOLDER	
<b>PRIORITY NA</b>		
<b>DESIGN NUMBER</b>	253151	
<b>CLASS</b>	09-01	
<b>1)DABUR INDIA LIMITED CORPORATE OFFICE KAUSHAMBI, SAHIBABAD-201010, DISTT. GHAZIABAD (U.P.) INDIA, AN INDIAN COMPANY</b>		
<b>DATE OF REGISTRATION</b>	15/04/2013	
<b>TITLE</b>	BOTTLE	
<b>PRIORITY NA</b>		
<b>DESIGN NUMBER</b>	254144	
<b>CLASS</b>	15-06	
<b>1)(1) UMESH JAYANTILAL PANCHAL (2) BHARGAVIBEN MEHULKUMAR PANCHAL (3) TARALBEN JIGNESHKUMAR PANCHAL, INDIVIDUALS, ADULT, AN INDIAN NATIONALS, PARTNERS OF GABBAR ENGINEERING CO., A PARTNERSHIP FIRM, NATIONALITY-INDIAN, HAVING ITS OFFICE AT PLOT NO.-1903, PHASE-III, OPP.-KALUPUR COMM. BANK, F-ROAD, G.I.D.C. INDUSTRIAL ESTATE, VATVA, AHMEDABAD-382445, GUJARAT, INDIA</b>		
<b>DATE OF REGISTRATION</b>	29/05/2013	
<b>TITLE</b>	SEWING MACHINE	
<b>PRIORITY NA</b>		

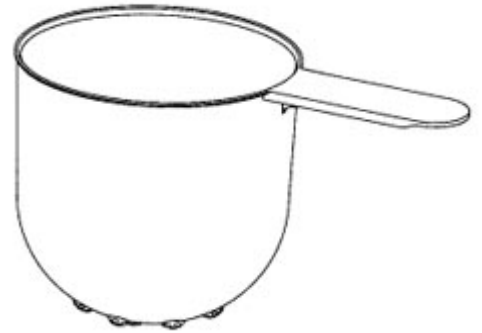
<b>DESIGN NUMBER</b>	253111	
<b>CLASS</b>	28-03	
<b>1)(1)MANOJKUMAR CHANDULAL RANPARA (2)TUSHARBHAI MANOJKUMAR RANPARA (3)DEVANGBHAI MANOJKUMAR RANPARA (ALL THE PARTNERS ARE ADULT &amp; INDIAN NATIONALS) PARTNER OF NEW RANPARA INDUSTRIES (INDIAN PARTNERSHIP FIRM) HAVING PLACE OF BUSINESS</b> AT -PANCHASAR ROAD, B/H. GEETA OIL MILL, MORBI-363641 DISTRICT:RAJKOT-GUJARAT (INDIA)		
<b>DATE OF REGISTRATION</b>	12/04/2013	
<b>TITLE</b>	TONGUE CLEANER	
<b>PRIORITY NA</b>		
<b>DESIGN NUMBER</b>	254964	
<b>CLASS</b>	06-06	
<b>1)GODREJ &amp; BOYCE MFG. CO. LTD., AN INDIAN COMPANY INCORPORATED UNDER THE COMPANIES ACT, 1913,</b> OF GODREJ INTERIO, PLANT 4, PIROJSHANAGER, VIKHROLI (WEST), MUMBAI-400079, INDIA		
<b>DATE OF REGISTRATION</b>	03/07/2013	
<b>TITLE</b>	LEG OF A FURNITURE	
<b>PRIORITY NA</b>		
<b>DESIGN NUMBER</b>	254993	
<b>CLASS</b>	02-04	
<b>1)THAIKATTIL JOSE,</b> THAIKATTIL HOUSE, OLLUKARA P.O., THRISSUR, KERALA STATE 680655, INDIA, AN INDIAN NATIONAL		
<b>DATE OF REGISTRATION</b>	04/07/2013	
<b>TITLE</b>	FOOTWEAR	
<b>PRIORITY NA</b>		

<b>DESIGN NUMBER</b>	253933	
<b>CLASS</b>	08-08	
<b>1)(1) MEHULBHAI D. CHAVDA (2) SOMESHBHAI S. MALIK AND (3) DHIRENBHAI SHAH ALL INDIAN NATIONAL PARTNER OF DMS ARCHITECTURAL PRODUCTS AN INDIAN PARTNERSHIP FIRM HAVING ITS PRINCIPAL PLACE OF BUSINESS AT ADDRESS:</b> PLOT NO. 6, SURVEY NO. 20, EVEREST INDUSTRIAL AREA, NEAR PERFECT (TATA) SHOWROOM, NATIONAL HIGHWAY NO. 8-B, VAVDI-DIST. RAJKOT-360004, GUJARAT-INDIA		
<b>DATE OF REGISTRATION</b>	17/05/2013	
<b>TITLE</b>	CURTAIN BRACKET	
<b>PRIORITY NA</b>		
<b>DESIGN NUMBER</b>	253963	
<b>CLASS</b>	09-01	
<b>1)PEARL POLYMERS LIMITED,</b> 204, ROHIT HOUSE, 3, TOLSTOY MARG, NEW DELHI-110 001, INDIA, A COMPANY INCORPORATED UNDER THE COMPANIES ACT, 1956, OF THE ABOVE ADDRESS		
<b>DATE OF REGISTRATION</b>	17/05/2013	
<b>TITLE</b>	BOTTLE	
<b>PRIORITY NA</b>		
<b>DESIGN NUMBER</b>	251099	
<b>CLASS</b>	06-11	
<b>1)WILLIAM GOODACRE &amp; SONS INDIA PVT. LTD., A COMPANY DULY REGISTERED UNDER THE COMPANIES ACT, 1956, HAVING ADDRESS AT XVIII/1146 REVI KARUNAKARAN ROAD, ALLEPPEY, KERALA-688012</b>		
<b>DATE OF REGISTRATION</b>	22/01/2013	
<b>TITLE</b>	FLOOR MAT	
<b>PRIORITY NA</b>		

<b>DESIGN NUMBER</b>	253432	
<b>CLASS</b>	03-01	
<b>1)DECATHLON,</b> 4, BOULEVARD DE MONS, 59650 VILLENEUVE D'ASCQ, FRANCE, A COMPANY OF FRANCE		
<b>DATE OF REGISTRATION</b>	25/04/2013	
<b>TITLE</b>	BAG	
<b>PRIORITY</b>		
<b>PRIORITY NUMBER</b>	<b>DATE</b>	<b>COUNTRY</b>
002128074-0001	31/10/2012	OHIM

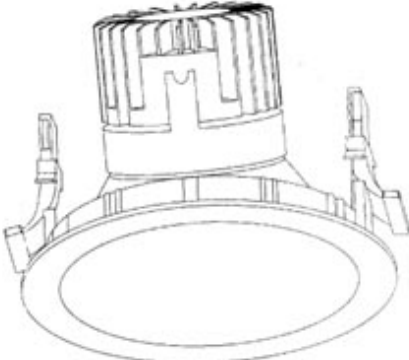




<b>DESIGN NUMBER</b>	253481	
<b>CLASS</b>	07-05	
<b>1)RECKITT BENCKISER N. V., A DUTCH COMPANY OF</b> SIRIUSDREEF 14, 2132 WT HOOFFDORP, NETHERLANDS		
<b>DATE OF REGISTRATION</b>	29/04/2013	
<b>TITLE</b>	DOSAGE CONTAINER	
<b>PRIORITY</b>		
<b>PRIORITY NUMBER</b>	<b>DATE</b>	<b>COUNTRY</b>
002126797-0001	29/10/2012	OHIM



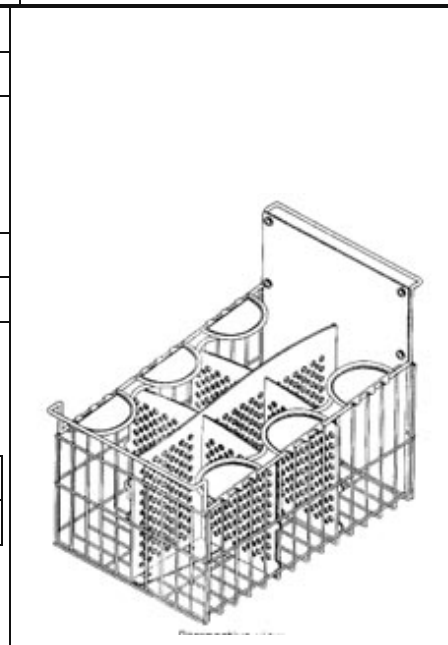
<b>DESIGN NUMBER</b>	254403	
<b>CLASS</b>	23-01	
<b>1)LG ELECTRONICS INC.,</b> OF 20 YEOUIDO-DONG, YEONGDEUNGPO-GU, SEOUL 150- 721, REPUBLIC OF KOREA		
<b>DATE OF REGISTRATION</b>	10/06/2013	
<b>TITLE</b>	WATER PURIFIER	
<b>PRIORITY</b>		
<b>PRIORITY NUMBER</b>	<b>DATE</b>	<b>COUNTRY</b>
30-2012-0060474	14/12/2012	REPUBLIC OF KOREA



<b>DESIGN NUMBER</b>	254533		
<b>CLASS</b>	26-05		
<b>1)ZUMTOBEL LIGHTING GMBH OF</b> GREVENMARSCHSTRASSE 74-78, 32657 LEMGO GERMANY; NATIONALITY: GERMAN			
<b>DATE OF REGISTRATION</b>	17/06/2013		
<b>TITLE</b>	RECESSED LUMINAIRE		
<b>PRIORITY</b>			
<b>PRIORITY NUMBER</b>	<b>DATE</b>	<b>COUNTRY</b>	
001355283	20/12/2012	OHIM	
<b>DESIGN NUMBER</b>	254651		
<b>CLASS</b>	12-16		
<b>1)SCANIA CV AB, A SWEDISH COMPANY OF,</b> SE-151 87, SÖDERTÄLJE, SWEDEN			
<b>DATE OF REGISTRATION</b>	21/06/2013		
<b>TITLE</b>	LOWER FRONT HATCH FOR VEHICLES		
<b>PRIORITY</b>			
<b>PRIORITY NUMBER</b>	<b>DATE</b>	<b>COUNTRY</b>	
201330035661.4	31/01/2013	CHINA	
<b>DESIGN NUMBER</b>	254746		
<b>CLASS</b>	07-01		
<b>1)MA DESIGN INDIA PRIVATE LIMITED, A COMPANY INCORPORATED IN</b> <b>INDIA HAVING ITS PRINCIPAL PLACE OF BUSINESS AT</b> A-41, SECTOR-80, PHASE-II, NOIDA-201305, U.P. INDIA			
<b>DATE OF REGISTRATION</b>	25/06/2013		
<b>TITLE</b>	DISH		
<b>PRIORITY NA</b>			

<b>DESIGN NUMBER</b>	254800	 <p>Front perspective view</p>
<b>CLASS</b>	29-01	
<b>1)ADVANCED FIREFIGHTING TECHNOLOGY GMBH, A COMPANY DULY ORGANIZED AND EXISTING UNDER THE LAWS OF GERMANY OF HEGGENKAMP 15, 49163 BOHMTE, GERMANY</b>		
<b>DATE OF REGISTRATION</b>	25/06/2013	
<b>TITLE</b>	TROLLEY FOR A FIREFIGHTING DEVICE	
<b>PRIORITY NA</b>		



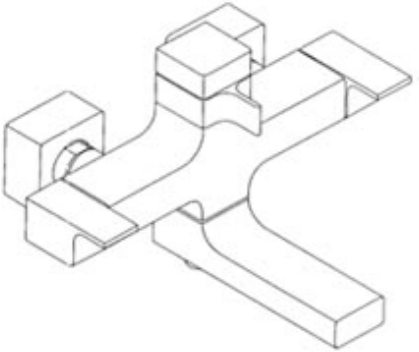
<b>DESIGN NUMBER</b>	250260	
<b>CLASS</b>	20-02	
<b>1)HINDUSTAN UNILEVER LIMITED, A COMPANY INCORPORATED UNDER THE INDIAN COMPANIES ACT, 1913, HAVING ITS REGISTERED OFFICE AT UNILEVER HOUSE, B. D. SAWANT MARG, CHAKALA, ANDHERI (EAST), MUMBAI 400099, STATE OF MAHARASHTRA, INDIA</b>		
<b>DATE OF REGISTRATION</b>	17/12/2012	
<b>TITLE</b>	BASKET FOR DISPLAYING PRODUCTS	
<b>PRIORITY</b>		
<b>PRIORITY NUMBER</b>	<b>DATE</b>	<b>COUNTRY</b>
002059683	19/06/2012	OHIM



<b>DESIGN NUMBER</b>	251565
<b>CLASS</b>	08-06
<b>1)PRASHANT SANCHANIYA, INDIAN NATIONALS, SOLE PROPRIETOR OF PMS ENTERPRISE, 15/16, SAMRAT INDUSTRIES AREA, BEHIND S.T. WORKSHOP, GONDAL ROAD, RAJKOT: 360004. GUJARAT (INDIA) ALL INDIAN OF ABOVE ADDRESS</b>	
<b>DATE OF REGISTRATION</b>	11/02/2013
<b>TITLE</b>	HANDLE
<b>PRIORITY NA</b>	

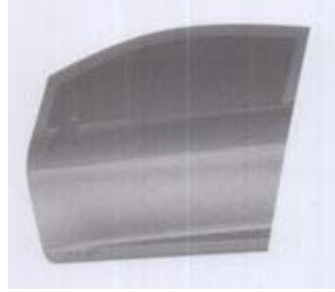





<b>DESIGN NUMBER</b>	253803
----------------------	--------

<b>CLASS</b>	15-09		
<b>1)ENDICO POWER TOOLS (INDIA), AN INDIAN COMPANY, OF 1276/1, ST NO. 3, SHIMLAPURI, LUDHIANA-141003, PUNJAB, INDIA</b>			
<b>DATE OF REGISTRATION</b>	10/05/2013		
<b>TITLE</b>	GUIDE FOR WOOD CUTTER MACHINE		
<b>PRIORITY NA</b>			
<b>DESIGN NUMBER</b>	253821		
<b>CLASS</b>	09-01		
<b>1)CAVINKARE PRIVATE LIMITED, AN INDIAN COMPANY INCORPORATED UNDER THE COMPANIES ACT, 1956, HAVING THEIR REGISTERED OFFICE ADDRESS AT NO. 12, CENOTAPH ROAD, TEYNAMPET, CHENNAI 600018, TAMIL NADU, INDIA</b>			
<b>DATE OF REGISTRATION</b>	14/05/2013		
<b>TITLE</b>	CONTAINER FOR TELCUM POWDER		
<b>PRIORITY NA</b>			
<b>DESIGN NUMBER</b>	249364		
<b>CLASS</b>	23-01		
<b>1)BEIJING KOHLER LTD., A CORPORATION ORGANIZED AND EXISTING UNDER THE LAWS OF CHINA, OF NO. 27 WEST GUO YUAN ROAD, BEIJING, MIYUN COUNTY 101500, CHINA P.R.</b>			
<b>DATE OF REGISTRATION</b>	09/11/2012		
<b>TITLE</b>	FAUCET		
<b>PRIORITY</b>			
<b>PRIORITY NUMBER</b>	<b>DATE</b>	<b>COUNTRY</b>	
201230180849.3	11/05/2012	CHINA	

<b>DESIGN NUMBER</b>	224066		
<b>CLASS</b>	25-01		
<b>1)SURYAKUMAR NARANDAS SONI</b> 86, SUTAR CHAWL, 1ST FLOOR, ROOM NO.104, SHEIKH MEMON STREET, MUMBAI - 400002. STATE OF MAHARASHTRA (INDIA),			
<b>DATE OF REGISTRATION</b>	28/07/2009		
<b>TITLE</b>	ARM ASSEMBLY FOR PANELING		
<b>PRIORITY NA</b>			
<b>DESIGN NUMBER</b>	253202		
<b>CLASS</b>	09-03		
<b>1)KIRAT PLASTICS PVT. LTD., AN INDIAN COMPANY OF</b> H-11/2, MALVIYA NAGAR, NEW DELHI-110017, INDIA			
<b>DATE OF REGISTRATION</b>	17/04/2013		
<b>TITLE</b>	BIN FOR STORAGE & TRANSPORT		
<b>PRIORITY NA</b>			
<b>DESIGN NUMBER</b>	253234		
<b>CLASS</b>	15-99		
<b>1)SANDVIK INTELLECTUAL PROPERTY AB OF</b> SE-811 81 SANDVIKEN, SWEDEN, A SWEDISH COMPANY			
<b>DATE OF REGISTRATION</b>	18/04/2013		
<b>TITLE</b>	CONE CRUSHER		
<b>PRIORITY</b>			
<b>PRIORITY NUMBER</b>	<b>DATE</b>	<b>COUNTRY</b>	
001360325	11/02/2013	OHIM	

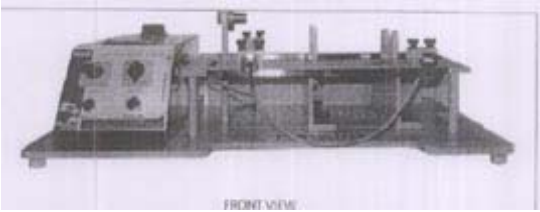

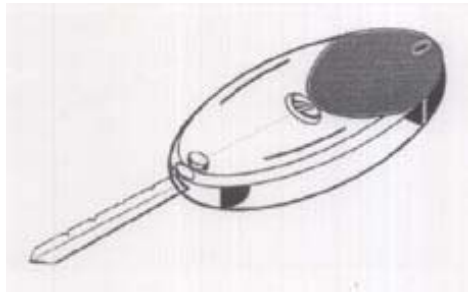


<b>DESIGN NUMBER</b>	254275	
<b>CLASS</b>	12-16	
<b>1)RENAULT TRUCKS, A COMPANY ORGANIZED UNDER THE LAWS OF FRANCE, OF 99 ROUTE DE LYON, 69800 SAINT PRIEST, FRANCE</b>		
<b>DATE OF REGISTRATION</b>	06/06/2013	
<b>TITLE</b>	VEHICLE BONNET	
<b>PRIORITY NA</b>		
<b>DESIGN NUMBER</b>	253097	
<b>CLASS</b>	13-03	
<b>1)M/S GOLDMEDAL ELECTRICALS PRIVATE LIMITED (A COMPANY INCORPORATED UNDER INDIAN COMPANIES ACT), A-302, KEMP PLAZA, MIND SPACE, CHINCHOLI BUNDER, OFF LINK ROAD, MALAD WEST, MUMBAI-400063, (INDIA)</b>		
<b>DATE OF REGISTRATION</b>	11/04/2013	
<b>TITLE</b>	SWITCH PLATE	
<b>PRIORITY NA</b>		
<b>DESIGN NUMBER</b>	254890	
<b>CLASS</b>	12-16	
<b>1)TATA MOTORS LIMITED, AN INDIAN COMPANY OF BOMBAY HOUSE, 24 HOMI MODY STREET, HUTATMA CHOWK, MUMBAI 400001, INDIA</b>		
<b>DATE OF REGISTRATION</b>	01/07/2013	
<b>TITLE</b>	DOOR OF A CAR	
<b>PRIORITY NA</b>		

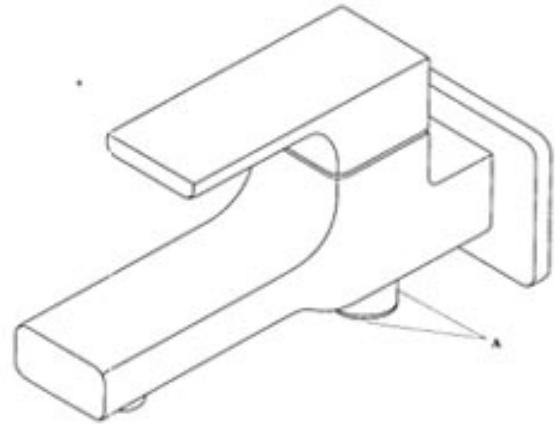
<b>DESIGN NUMBER</b>	254922	
<b>CLASS</b>	09-01	
<b>1)JAGATJIT INDUSTRIES LIMITED, A COMPANY INCORPORATED UNDER THE INDIAN COMPANIES ACT, 1956, INDIAN COMPANY, P.O. JAGATJIT NAGAR-144802, DISTRICT-KAPURTHALA, PUNJAB</b>		
<b>DATE OF REGISTRATION</b>	02/07/2013	
<b>TITLE</b>	BOTTLE	
<b>PRIORITY NA</b>		
<b>DESIGN NUMBER</b>	254968	
<b>CLASS</b>	06-06	
<b>1)GODREJ &amp; BOYCE MFG. CO. LTD., AN INDIAN COMPANY INCORPORATED UNDER THE COMPANIES ACT, 1913, OF GODREJ INTERIO, PLANT 4, PIROJSHANAGER, VIKHROLI (WEST), MUMBAI-400079, INDIA</b>		
<b>DATE OF REGISTRATION</b>	03/07/2013	
<b>TITLE</b>	LEG OF A FURNITURE	
<b>PRIORITY NA</b>		
<b>DESIGN NUMBER</b>	254054	
<b>CLASS</b>	23-03	
<b>1)BAJAJ ELECTRICALS LIMITED, A COMPANY REGISTERED IN INDIA, HAVING ITS REGISTERED OFFICE AT, 45/47, VEER NARIMAN ROAD, MUMBAI 400023, STATE OF MAHARASHTRA, INDIA, OF ABOVE ADDRESS</b>		
<b>DATE OF REGISTRATION</b>	23/05/2013	
<b>TITLE</b>	WATER HEATER	
<b>PRIORITY NA</b>		

<b>DESIGN NUMBER</b>	254580		
<b>CLASS</b>	26-06		
<b>1)HONDA MOTOR CO., LTD., A JAPANESE CORPORATION, OF 1-1, MINAMI-AOYAMA 2-CHOME, MINATO-KU, TOKYO, JAPAN</b>			
<b>DATE OF REGISTRATION</b>	19/06/2013		
<b>TITLE</b>	REAR COMBINATION LAMP FOR AUTOMOBILE		
<b>PRIORITY</b>			
<b>PRIORITY NUMBER</b>	<b>DATE</b>	<b>COUNTRY</b>	
2012-032038	28/12/2012	JAPAN	
<b>DESIGN NUMBER</b>	254654		
<b>CLASS</b>	12-08		
<b>1)SCANIA CV AB, A SWEDISH COMPANY OF, SE-151 87, SÖDERTÄLJE, SWEDEN</b>			
<b>DATE OF REGISTRATION</b>	21/06/2013		
<b>TITLE</b>	BUS		
<b>PRIORITY</b>			
<b>PRIORITY NUMBER</b>	<b>DATE</b>	<b>COUNTRY</b>	
201330030426.8	31/01/2013	CHINA	
<b>DESIGN NUMBER</b>	253407		
<b>CLASS</b>	12-05		
<b>1)M/S ESCORTS LTD., (A COMPANY INCORPORATED UNDER INDIAN COMPANIES ACT, 1956), 15/5, MATHURA ROAD, FARIDABAD-121003, HARYANA., (INDIA)</b>			
<b>DATE OF REGISTRATION</b>	25/04/2013		
<b>TITLE</b>	CRANE		
<b>PRIORITY NA</b>			

<b>DESIGN NUMBER</b>	254306	
<b>CLASS</b>	12-16	
<b>1)RENAULT TRUCKS, A COMPANY ORGANIZED UNDER THE LAWS OF FRANCE, OF 99 ROUTE DE LYON, 69800 SAINT PRIEST, FRANCE</b>		
<b>DATE OF REGISTRATION</b>	06/06/2013	
<b>TITLE</b>	FRAME COMPONENT FOR VEHICLE HEADLIGHT	
<b>PRIORITY NA</b>		
<b>DESIGN NUMBER</b>	254449	
<b>CLASS</b>	22-06	
<b>1)MUKTHA LABORATORIES PRIVATE LIMITED, AN INDIAN COMPANY, INCORPORATED UNDER THE INDIAN COMPANIES ACT 1956, HAVING ITS PRINCIPAL PLACE OF BUSINESS AT W-4, 5TH MAIN ROAD, ANNA NAGAR, CHENNAI-600040, STATE OF TAMIL NADU, INDIA</b>		
<b>DATE OF REGISTRATION</b>	12/06/2013	
<b>TITLE</b>	INSECT TRAP	
<b>PRIORITY NA</b>		
<b>DESIGN NUMBER</b>	252496	
<b>CLASS</b>	13-03	
<b>1)CROMPTON GREAVES LIMITED, (AN INDIAN COMPANY), AVANTHA HOUSE, 6TH FLOOR, DR. ANNIE BESANT ROAD, WORLI, MUMBAI-400030, MAHARASHTRA, INDIA</b>		
<b>DATE OF REGISTRATION</b>	20/03/2013	
<b>TITLE</b>	SELF POWERED PROTECTIVE RELAY FOR CIRCUIT BREAKERS	
<b>PRIORITY NA</b>		

<b>DESIGN NUMBER</b>	252608	 <p style="text-align: center;">FRONT VIEW</p>
<b>CLASS</b>	10-05	
<b>1)PRESTO STANTEST PRIVATE LIMITED OF I-42A, DLF INDUSTRIAL AREA, PHASE-1, DELHI MATHURA ROAD, FARIDABAD-121003, HARYANA, INDIA,</b> A COMPANY DULY ORGANIZED AND EXISTING UNDER THE LAWS OF INDIA		
<b>DATE OF REGISTRATION</b>	22/03/2013	
<b>TITLE</b>	HOT WIRE BOTTLE CUTTER	
<b>PRIORITY NA</b>		
<b>DESIGN NUMBER</b>	253609	
<b>CLASS</b>	07-02	
<b>1)SHAZE LUXURY RETAIL PVT LTD LOCATED AT 1-A, 2ND FLOOR, KAPUR MANSION, 43, HUGHES ROAD, MUMBAI-400007, MAHARASHTRA, INDIA</b>		
<b>DATE OF REGISTRATION</b>	01/05/2013	
<b>TITLE</b>	TEA KETTLE	
<b>PRIORITY NA</b>		
<b>DESIGN NUMBER</b>	247826	
<b>CLASS</b>	03-01	
<b>1)MAHINDRA 2 WHEELERS LIMITED, A COMPANY INCORPORATED UNDER THE INDIAN COMPANIES ACT,</b> AT D1 BLOCK, PLOT NO. 18/2 (PART), MIDC, CHINCHWAD, PUNE-411019, MAHARASHTRA, INDIA		
<b>DATE OF REGISTRATION</b>	11/09/2012	
<b>TITLE</b>	KEY HOLDER	
<b>PRIORITY NA</b>		

<b>DESIGN NUMBER</b>	249373	
<b>CLASS</b>	23-01	
<b>1)BEIJING KOHLER LTD., A CORPORATION ORGANIZED AND EXISTING UNDER THE LAWS OF CHINA, OF NO. 27 WEST GUO YUAN ROAD, BEIJING, MIYUN COUNTY 101500, CHINA P.R.</b>		
<b>DATE OF REGISTRATION</b>	09/11/2012	
<b>TITLE</b>	WATER SPOUT	
<b>PRIORITY</b>		
<b>PRIORITY NUMBER</b>	<b>DATE</b>	<b>COUNTRY</b>
201230180855.9	11/05/2012	CHINA




<b>DESIGN NUMBER</b>	253103	
<b>CLASS</b>	13-03	
<b>1)M/S GOLDMEDAL ELECTRICALS PRIVATE LIMITED (A COMPANY INCORPORATED UNDER INDIAN COMPANIES ACT), A-302, KEMP PLAZA, MIND SPACE, CHINCHOLI BUNDER, OFF LINK ROAD, MALAD WEST, MUMBAI-400063, (INDIA)</b>		
<b>DATE OF REGISTRATION</b>	11/04/2013	
<b>TITLE</b>	SWITCH PLATE	
<b>PRIORITY NA</b>		



<b>DESIGN NUMBER</b>	254963	
<b>CLASS</b>	06-06	
<b>1)GODREJ &amp; BOYCE MFG. CO. LTD., AN INDIAN COMPANY INCORPORATED UNDER THE COMPANIES ACT, 1913, OF GODREJ INTERIO, PLANT 4, PIROJSHANAGER, VIKHROLI (WEST), MUMBAI-400079, INDIA</b>		
<b>DATE OF REGISTRATION</b>	03/07/2013	
<b>TITLE</b>	LEG OF A FURNITURE	
<b>PRIORITY NA</b>		



<b>DESIGN NUMBER</b>	253929	
<b>CLASS</b>	08-08	
<b>1)(1) MEHULBHAI D. CHAVDA (2) SOMESHBHAI S. MALIK AND (3) DHIRENBHAI SHAH ALL INDIAN NATIONAL PARTNER OF DMS ARCHITECTURAL PRODUCTS AN INDIAN PARTNERSHIP FIRM HAVING ITS PRINCIPAL PLACE OF BUSINESS AT ADDRESS:</b> PLOT NO. 6, SURVEY NO. 20, EVEREST INDUSTRIAL AREA, NEAR PERFECT (TATA) SHOWROOM, NATIONAL HIGHWAY NO. 8-B, VAVDI-DIST. RAJKOT-360004, GUJARAT-INDIA		
<b>DATE OF REGISTRATION</b>	17/05/2013	
<b>TITLE</b>	CURTAIN BRACKET	
<b>PRIORITY NA</b>		